



**WESCO PRODUCTION  
TOOLS LTD.**

- 1730 MCPHERSON COURT, #10, PICKERING, ONTARIO L1W 3E6  
PHONE (416) 839-6111 FAX (416) 839-7100
- 4455 ALASKA STREET, BURNABY, B.C. V5C 5T3  
PHONE (604) 298-2933 FAX (604) 294-8131
- MONTRÉAL BUR: (514) 448-1221 FAX (514) 468-4653  
CEL: (514) 592-1661

---

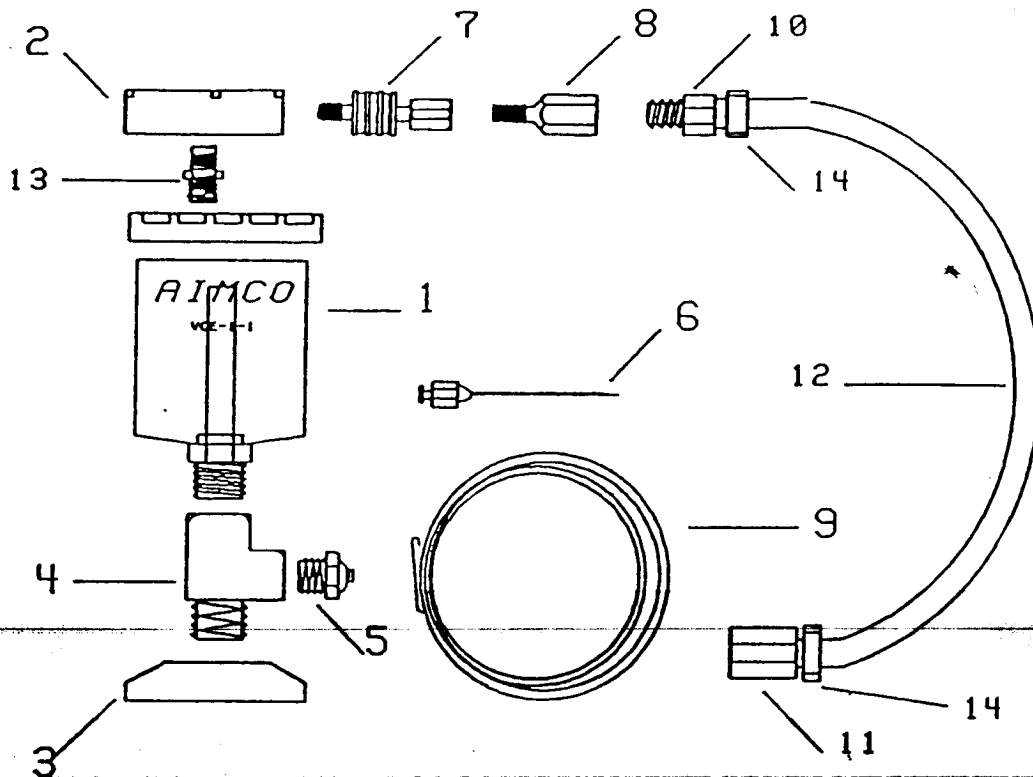
**VACUUM EXTRACTOR VCE-1-1**

**OPERATIONS MANUAL**

---

# VCE-1-1

## EXPLODED VIEW



## PARTS LIST

INDEX NO.	QTY.	MODEL VCE-1-1 PART NO.	DESCRIPTION
1	1	M476R	OIL RESERVOIR
2	1	L30X1	VACUUM GENERATOR
3	1	VCE-BP	BASE PLATE
4	1	2225P-4	STREET TEE
5	1	68PL-5/32-4	PUSH LOCK FITTING
6	1	J17416GX3	NEEDLE
7	1	SL10	SWITCH
8	1	222P-4-2	REDUCER
9	1	ASH-156	3 FT. NYLON TUBING
10	1	HB-4-4	BARBED FITTING
11	1	HBL-4-4	BARBED FITTING
12	1	ASH-250	1 FT. POLYURETHANE TUBING
13	1	HN-6-4	REDUCER
14	2	HC-38	CLAMP

When ordering spare parts, please specify tool type, code number and part name.

## OPERATION MANUAL VACUUM EXTRACTOR

### CAUTION

Always dispose of pulse unit fluid properly. Never pour down drain or in garbage can.

How to use:

- 1) Hook air up to air inlet.
  - 2) Put needle into the oil filler plug on the pulse unit.
  - 3) Push the switch on to start drawing fluid out of the pulse unit.
  - 4) When air bubble appears in the extractor hose, all of the fluid has been extracted from the pulse unit.
  - 5) Pull the switch back to turn off the vacuum.
  - 6) Remove the needle from the pulse unit. Now your pulse unit is ready to be refilled or rebuilt.
- 

SS/aw  
9/1/92

---