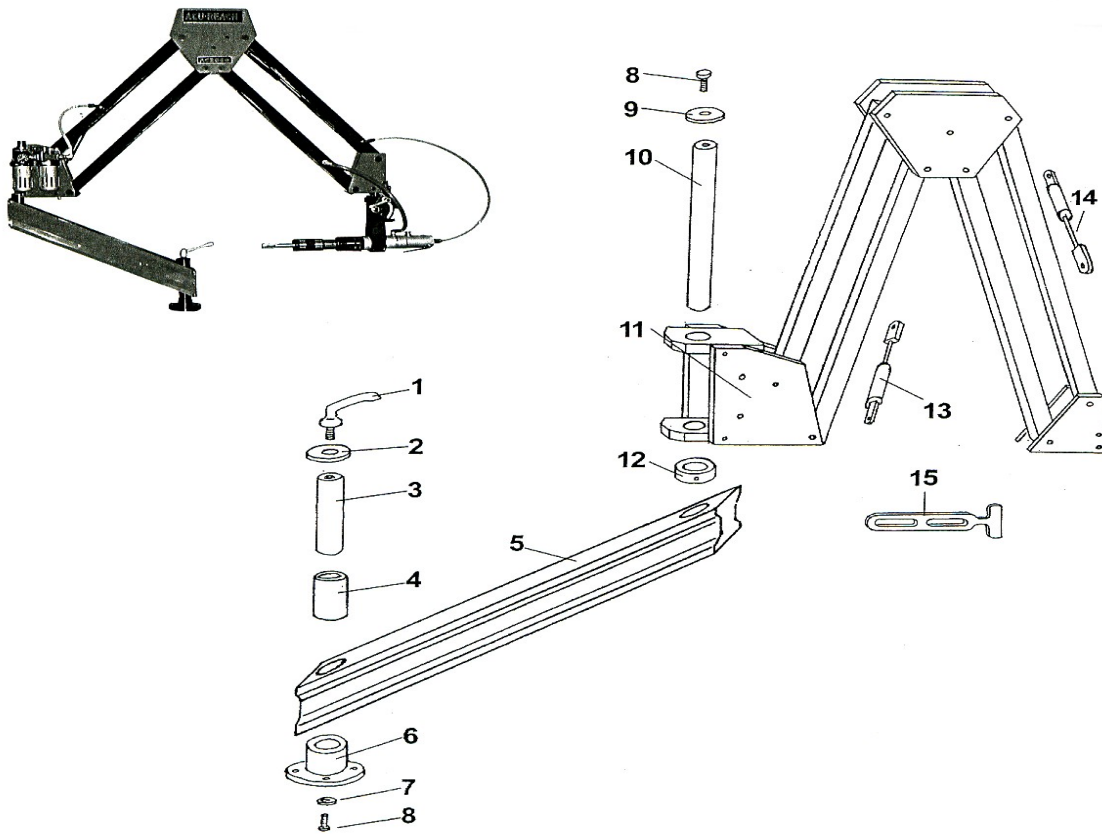




AC2000HD ACU-REACH ARTICULATING BALANCING ARM

Wespro Pneumatic Tools



<u>No.</u>	<u>Description</u>	<u>Order Code</u>	<u>Qty</u>	<u>No.</u>	<u>Description</u>	<u>Order Code</u>	<u>Qty</u>
1	Locking Handle	147835	1	12	Support Collar c/w Set Screw	140022	1
2	Washer	147833	1	13	Gas Cylinder (800N) - (with Rigid Tool Holder)	137771	1
3	Mounting Post	147834	1		Gas Cylinder (1000N) - (with Universal Tool Holder)	135929	1
4	Bushing	123906	1	14	Gas Cylinder (600N) - (with Rigid Tool Holder)	140016	1
5	Jib Arm	140017	1		Gas Cylinder (800N) - (with Universal Tool holder)	137771	
6	Mounting Base	141890	1	15	Securing Strap	137781	1
7	Washer	129377	1				
8	Socket Head Cap Screw	137777	2				
9	Washer	137773	1				
10	Joining Post	140021	1				
11	Upper Arm Assembly (Part #13, #14 & #15 included)	140025	1				