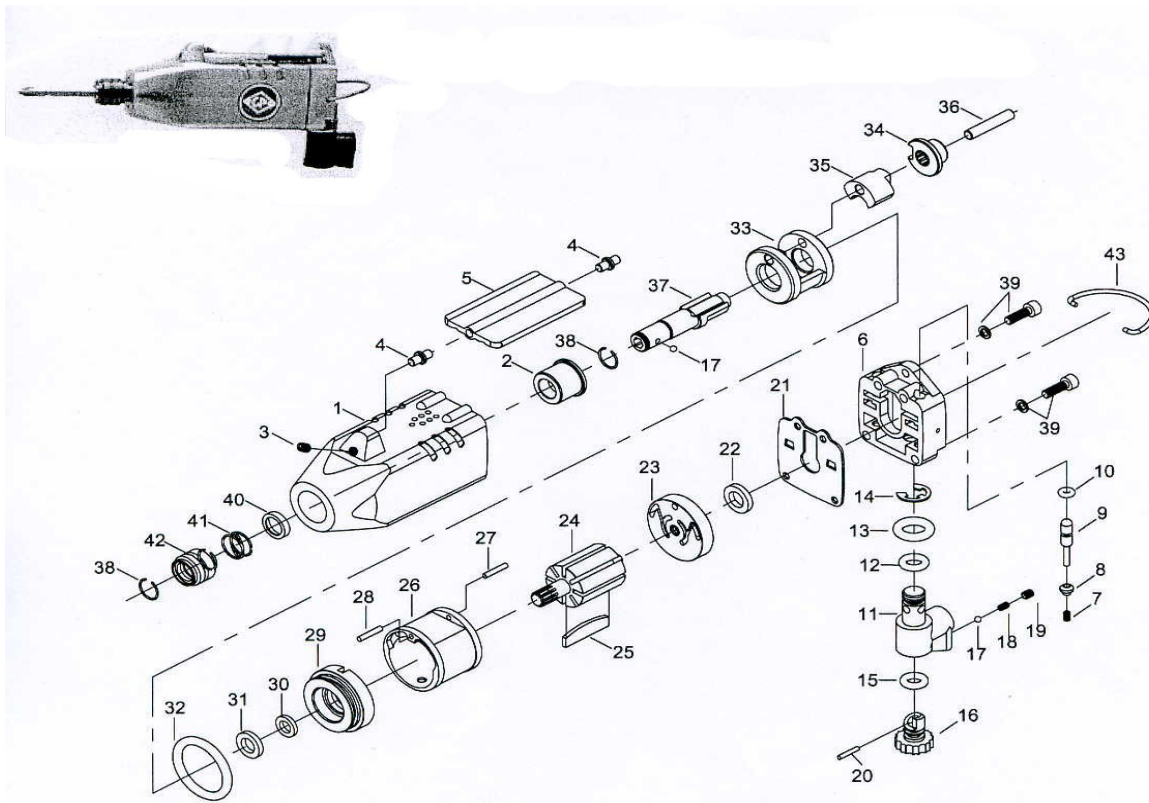




**SD375HDS**

**1/4" HEX. DRIVE IMPACT SCREWDRIVER**

**Wespro Pneumatic Tools**



\* 1/4" Hex. Anvil Assembly Order Code 166067 (Including #17, 37, 38, 40, 41, 42)

<u>No.</u>	<u>Description</u>	<u>Order Code</u>	<u>Qty</u>	<u>No.</u>	<u>Description</u>	<u>Order Code</u>	<u>Qty</u>
1	Housing	163395	1	23	Rear End Plate	163449	1
2	Anvil bushing	163397	1	24	Rotor	163450	1
3	Set Screw	163398	1	25	Rotor Blade	163451	8
4	Trigger Pin	163412	2	26	Cylinder	163452	1
5	Trigger	163415	1	27	Spring Pin	163453	1
6	Housing Cover	163418	1	28	Spring Pin	163454	1
7	Valve Spring	163420	2	29	Front End Plate	163455	1
8	Seal	163423	2	30	Oil Seal	163456	1
9	Valve Stem	163425	2	31	Ball Bearing	112024	1
10	O-Ring	163433	2	32	O-Ring	163457	1
11	Valve Block	163436	1	33	Hammer Cage	163459	1
12	O-Ring	163438	1	34	Hammer Cam	163460	1
13	O-Ring	163439	1	35	Hammer	163461	1
14	C' Collar	163440	1	36	Hammer Pin	163462	1
15	O-Ring	163441	1	37	1/4" Hex. Anvil	WP 353001	1
16	Regulator	163442	1	38	Retainer Ring	WP 354005	1
17	Steel Ball	163443	2	39	Cap Screw w/ Washer	193465	4
18	Spring	163444	1	40	Thrust Ring	WP 354015	1
19	Set Screw	163445	1	41	Spring Pin	WP 354016	1
20	Spring Pin	163446	1	42	Sleeve Retainer	WP 354017	1
21	Motor Gasket	163448	1	43	Hanger	WP 307035	1
22	Ball Bearing	112054	1				