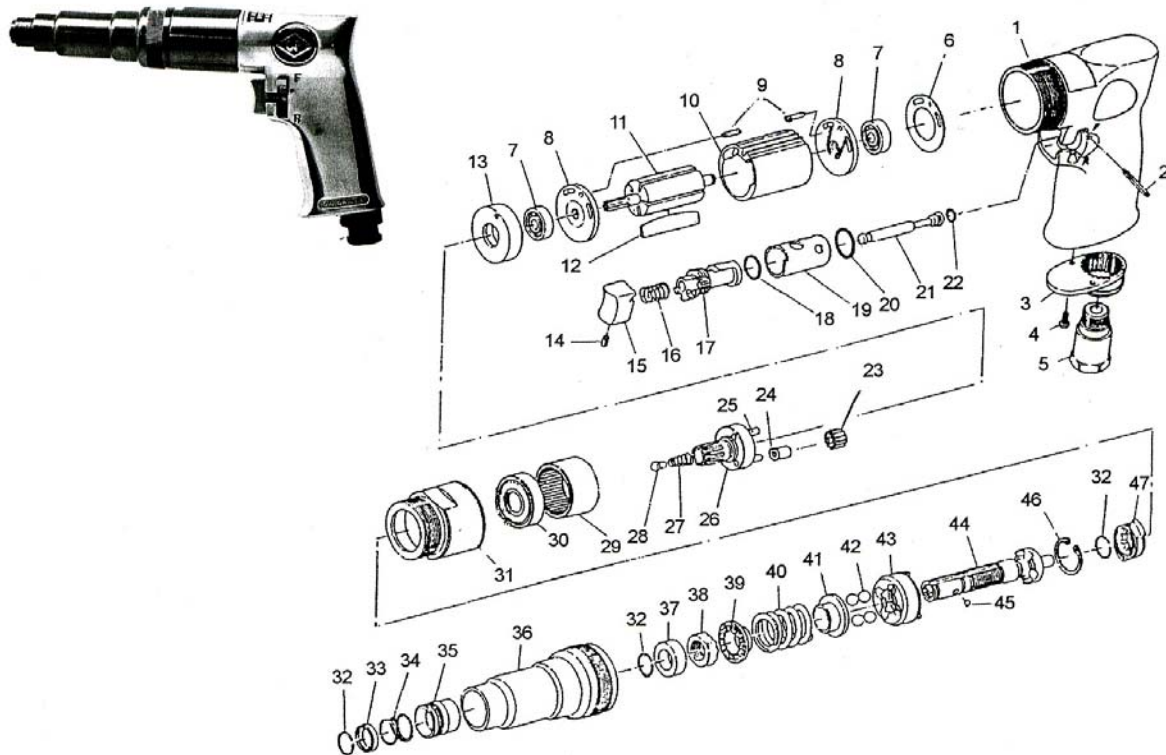




SD218C

AIR SCREWDRIVER

Wespro Pneumatic Tools



<u>No.</u>	<u>Description</u>	<u>Order Code</u>	<u>Qty</u>	<u>No.</u>	<u>Description</u>	<u>Order Code</u>	<u>Qty</u>
1	Motor Housing	130270	1	25	Pin	91738	3
2	Pin	91720	1	26	Work Spindle	97596	1
3	Exhaust Diffuser	91745	1	27	Spring	97424	1
4	Screw	130282	2	28	Spring Guide	97425	1
5	Air Inlet	91721	1	29	Internal Gear	91736	1
6	Motor Gasket	91728	1	30	Ball Bearing	112045	1
7	Ball Bearing	112054	1	31	Clamp Nut	WP 80228	1
8	End Plate	91730	2	32	Retaining Ring	97433	3
9	Pin	91733	2	33	Washer	97440	1
10	Cylinder	130290	1	34	Spring	97439	1
11	Rotor	91731	1	35	Ball Retainer	97438	1
12	Rotor Blade	125567	5	36	Clutch Housing	137768	1
13	Spacer	91735	1	37	Spacer	97607	1
14	Set Screw	91637	1	38	Adjust Nut	97608	1
15	Trigger	130272	1	39	Washer	97605	1
16	Valve Spring	130273	1	40	Spring	97604	1
17	Reverse Lever	91727	1	41	Washer	97603	1
18	O-Ring	91726	1	42	Steel Ball	97602	4
19	Reverse Bushing	91723	1	43	Clutch Carrier	97601	1
20	O-Ring	81744	1	44	Cam Spindle	97600	1
21	Valve Stem	91722	1	45	steel Ball	97435	1
22	O-Ring	83873	1	46	Retainer Ring	97599	1
23	Planet Gear (c/w #24)	91737	3	47	Drive Dog	97598	1
24	Bushing	91739	3				