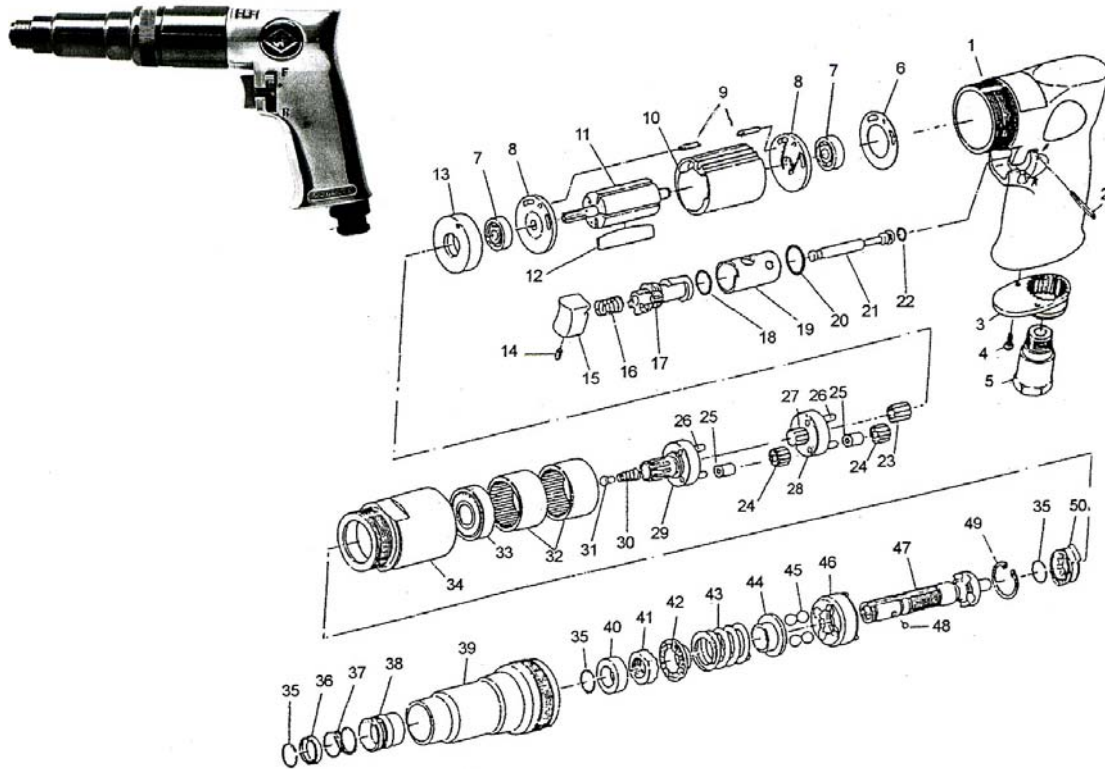




**SD208C**

**AIR SCREWDRIVER**

**Wespro Pneumatic Tools**



<u>No.</u>	<u>Description</u>	<u>Order Code</u>	<u>Qty</u>	<u>No.</u>	<u>Description</u>	<u>Order Code</u>	<u>Qty</u>
1	Motor Housing	130270	1	26	Planet Pin	91738	6
2	Pin	91720	1	27	Centre Gear	97449	1
3	Exhaust Diffuser	91745	1	28	Reduction Spindle	97451	1
4	Screw	130282	2	29	Work Spindle	<b>WP 80326</b>	1
5	Air Inlet	91721	1	30	Spring	97424	1
6	Motor Gasket	91728	1	31	Spring Guide	97425	1
7	Ball Bearing	112054	2	32	Internal Gear	91736	2
8	End Plate	91730	2	33	Ball Bearing	112045	1
9	Pin	91733	2	34	Clamp Nut	97448	1
10	Cylinder	130290	1	35	Retaining Ring	97433	3
11	Rotor	91731	1	36	Washer	97440	1
12	Rotor Blade	125567	5	37	Spring	97439	1
13	Spacer	91735	1	38	Ball Retainer	97438	1
14	Set Screw	91637	1	39	Clutch Housing	137768	1
15	Trigger	130272	1	40	Spacer	97607	1
16	Valve Spring	130273	1	41	Adjust Nut	97606	1
17	Reverse Lever	91727	1	42	Washer	97605	1
18	O-Ring	91726	1	43	Spring	97604	1
19	Reverse Bushing	91723	1	44	Washer	97603	1
20	O-Ring	81744	1	45	Steel Ball	97602	4
21	Valve Stem	91722	1	46	Clutch Carrier	97601	1
22	O-Ring	83873	1	47	Cam Spindle	97600	1
23	Pinion Gear	97450	1	48	Steel Ball	97435	1
24	Planet Gear (c/w #25)	97412	6	49	Retaining Ring	97599	1
25	Bushing	97414	6	50	Drive Dog	97598	1