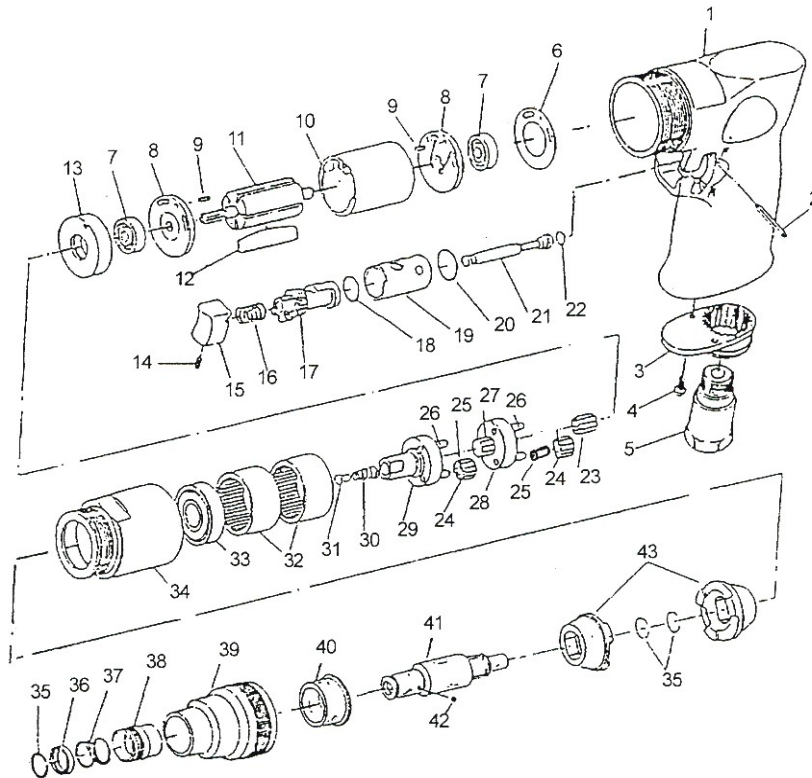
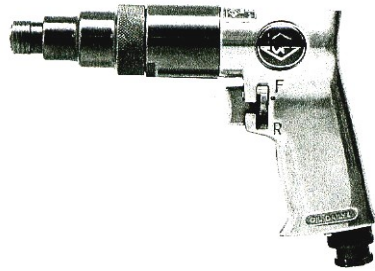




SD208

AIR SCREWDRIVER

Wespro Pneumatic Tools



<u>No.</u>	<u>Description</u>	<u>Order Code</u>	<u>Qty</u>	<u>No.</u>	<u>Description</u>	<u>Order Code</u>	<u>Qty</u>
1	Motor Housing	130270	1	23	Pinion Gear	97450	1
2	Pin	91720	1	24	Planet Gear (c/w #25)	97412	6
3	Exhaust Diffuser	91745	1	25	Bushing	97414	6
4	Screw	130282	2	26	Planet Pin	91738	6
5	Air Inlet	91721	1	27	Centre Gear	97449	1
6	Motor Gasket	91728	1	28	Reduction Spindle	97451	1
7	Ball Bearing	112054	2	29	Work Spindle	97446	1
8	End Plate	91730	2	30	Spring	97424	1
9	Pin	91733	2	31	Spring Guide	97425	1
10	Cylinder	130290	1	32	Internal Gear	91736	2
11	Rotor	91731	1	33	Ball Bearing	112045	1
12	Rotor Blade	125567	5	34	Clamp Nut	97448	1
13	Spacer	91735	1	35	Retaining Ring	97433	3
14	Set Screw	91637	1	36	Washer	97440	1
15	Trigger	130272	1	37	Spring	97439	1
16	Valve Spring	130273	1	38	Ball Retainer	97438	1
17	Reverse Lever	91727	1	39	Clutch Housing	97437	1
18	O-Ring	91726	1	40	Clutch Bushing	97436	1
19	Reverse Bushing	91723	1	41	Cam Spindle	97434	1
20	O-Ring	81744	1	42	Steel Ball	97435	1
21	Valve Stem	91722	1	43	Drive Dog	97432	2
22	O-Ring	83873	1				