



SO5 & SO6

5" & 6" ORBITAL SANDER

Wespro Pneumatic Tools



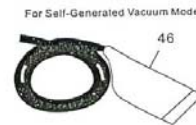
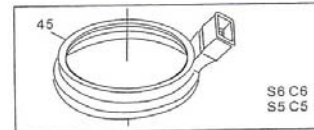
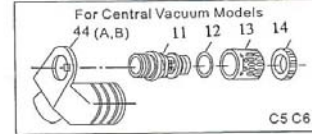
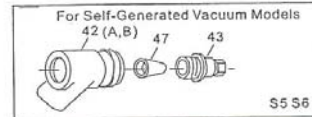
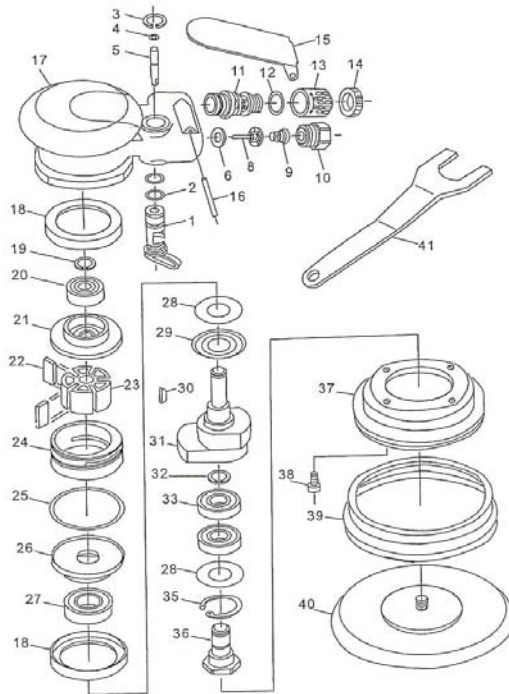
Non Vacuum Type



Central Vacuum Type



Self-Generated Vacuum Type



<u>No.</u>	<u>Description</u>	<u>Order Code</u>	<u>Qty</u>	<u>No.</u>	<u>Description</u>	<u>Order Code</u>	<u>Qty</u>
1	Regulator	159042	1	26	Front End Plate	175724	1
2	O-Ring	159043	2	27	Ball Bearing	112034	1
3	Snap Ring	159044	1	28	Washer	175725	2
4	O-Ring	159045	1	29	Washer	175726	1
5	Valve Stem	159046	1	30	Key	175727	1
6	Washer	159047	1	31-55	Motor Shaft Balancer(5", 5 mm)	174703	1
8	Valve	175708	1	31-65	Motor Shaft Balancer(6", 5 mm)	174705	1
9	Spring	159049	1	31-53	Motor Shaft Balancer(5", 3 mm)	174706	1
10	Inlet Bushing	175709	1	31-63	Motor Shaft Balancer(6", 3 mm)	174707	1
11	Muffler Body	175710	1	32	Snap Ring	175729	1
11A	Muffler Body Ass'y	168290	1	33	Ball Bearing	112031	2
12	O-Ring	175714	1	35	Snap Ring	175731	1
13	Exhaust Sleeve	175715	1	36	Shaft	175732	1
14	Nut	175716	1	37	Housing Cover	172232	1
15	Lever	175717	1	38	Screw c/w lock washer	175733	4
16	Pin	175718	1	39	Shroud N5, N6)	175734	1
17	Housing	174672	1	40	Pad (see Wespro catalogue)		1
18	Rubber Bushing	159050	2	41	Spanner	175736	1
19	Snap Ring	175719	1	42	Vacuum Adapter (S5, S6)	175737	1
20	Ball Bearing	112028	1	43	Muffler Body (S5, S6)	175738	1
21	Rear End Plate	175721	1	44	Vacuum Adapter (C5, C6))	175739	1
22	Rotor Blade	159051	5	45	Shroud (C5, C6)	175741	1
23	Rotor	159052	1	46	Rubber Hose & Bag (S5, S6)	175742	1
24	Cylinder	175723	1	47	Muffler Cone	181017	1
25	O-ring	159053	1				