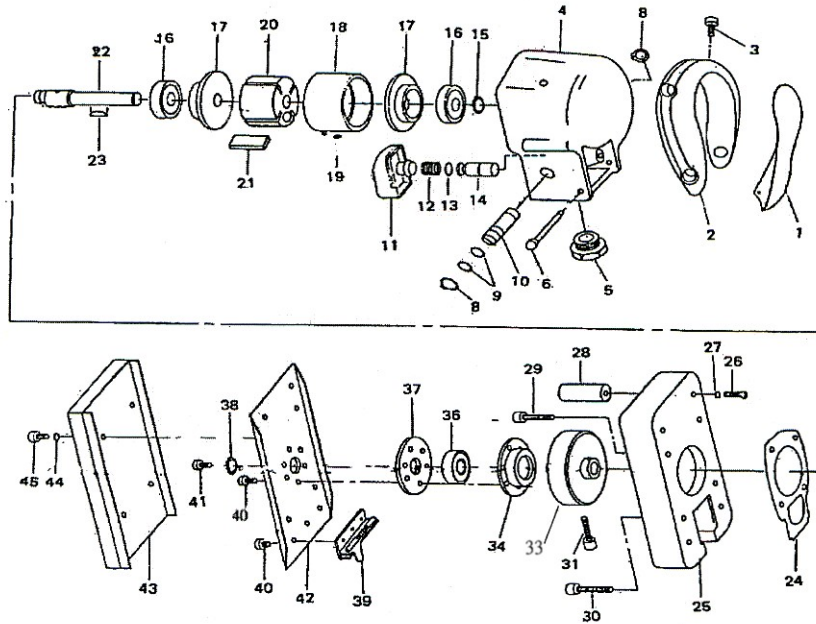
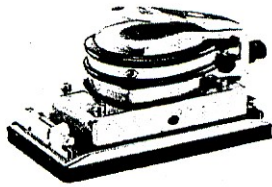




S3X9 ORBITAL SANDER

Wespro Pneumatic Tools



<u>No.</u>	<u>Description</u>	<u>Order Code</u>	<u>Qty</u>	<u>No.</u>	<u>Description</u>	<u>Order Code</u>	<u>Qty</u>
1	Lever	101773	1	23	Key	101795	1
2	Rubber Grip w/Metal Strip	101776	1	24	Gasket	101796	1
3	Grip Screw	101777	4	25	Base	101797	1
4	Body	125528	1	26	Mount Screw	101798	8
5	Inlet Screw	101778	1	27	Washer	124088	8
6	Lever Pin	101779	1	28	Rubber Post	101799	4
8	Retaining Ring	101781	2	29	Cap Screw	101800	2
9	O-Ring	101782	2	30	Cap Screw	101801	2
10	Regulator	105552	1	31	Lock Screw	101802	1
11	Muffler	101783	1	33	Crank Shaft	101804	1
12	Spring	101784	1	34	Bearing Housing	101805	1
13	O-Ring	101785	1	36	Ball Bearing	112081	1
14	Plunger	101786	1	37	Bearing Plate	101807	1
15	Retaining Ring	101787	1	38	Retaining Ring	101808	1
16	Ball Bearing	112043	2	39	Paper Clamp	101810	2
17	End Plate	101789	2	40	Clamp Screw	101811	12
18	Cylinder w/ Lock Pin	101790	1	41	Screw	88558	1
19	O-Ring	101791	1	42	Shoe Plate	101812	1
20	Rotor	101792	1	43	Sanding Pad	101813	1
21	Rotor Blade	101793	4	44	Washer	124088	4
22	Rotor Shaft	101794	1	45	Mount Screw	101814	4