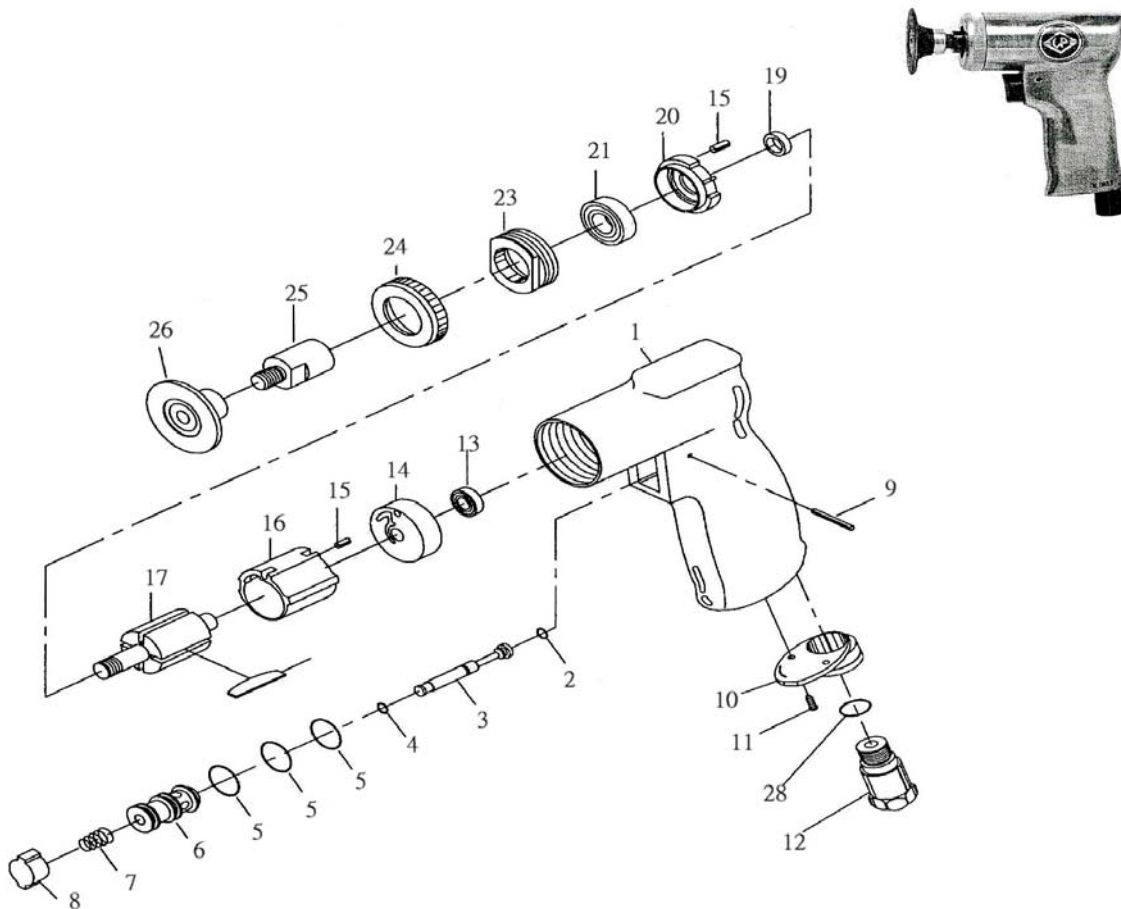




S22P-1/4

PISTOL GRIP SANDER

Wespro Pneumatic Tools



<u>No.</u>	<u>Description</u>	<u>Order Code</u>	<u>Qty</u>	<u>No.</u>	<u>Description</u>	<u>Order Code</u>	<u>Qty</u>
1	Motor Housing	WP 31501-01	1	15	Spring Pin	172556	2
2	O-Ring	188149	1	16	Cylinder	148651	1
3	Throttle Valve	159199	1	17	Rotor	WP 31222-17	1
4	O-Ring	188150	1	18	Rotor Blade	148653	4
5	O-Ring	188152	3	19	Rotor Collar	148654	1
6	Reverse Bushing	159202	1	20	Front End Plate	172553	1
7	Valve Spring	159207	1	22	Ball Bearing	112028	1
8	Trigger	WP 21511-09	1	23	Lock Nut	192993	1
9	Spring Pin	159217	1	24	Housing Cap	172554	1
10	Exhaust Diffuser	159189	1	25	Spindle	WP 21403-21	1
11	Muffler Screw	159527	1	26	Backing Pad	Optional	1
12	Inlet Bushing	159190	1	28	O-Ring	188256	1
13	Ball Bearing	112040	1		Spanner (14 mm)	166515	1
14	Rear End Plate	197482	1				