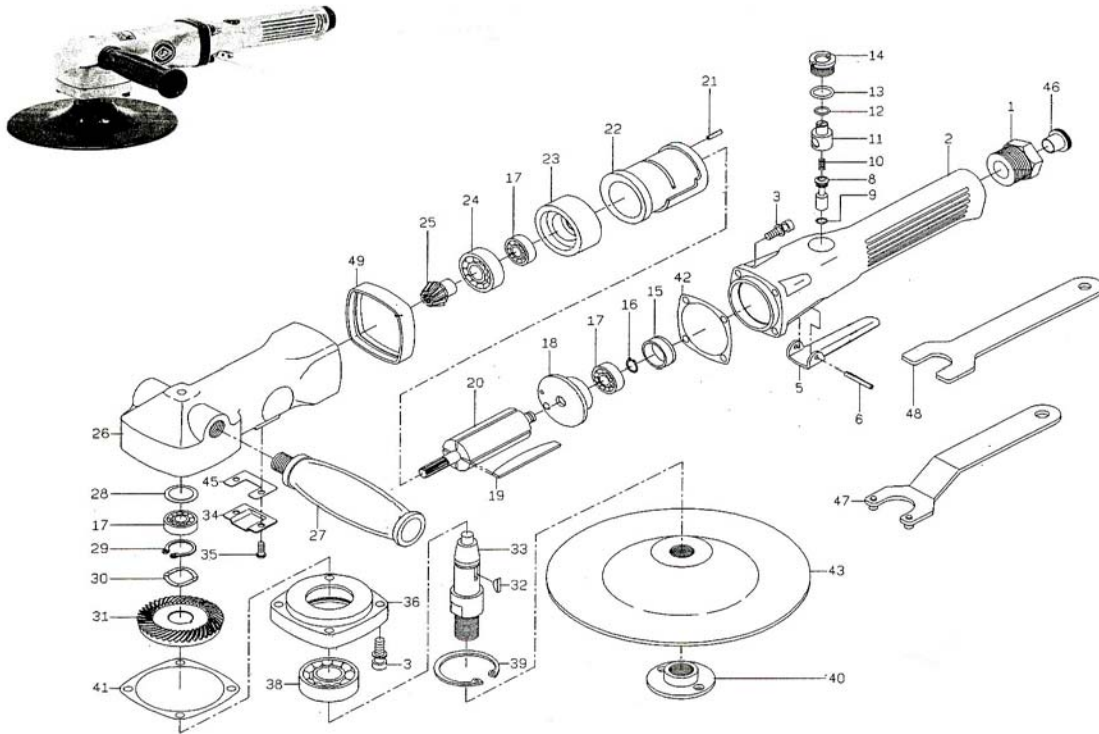




**P725A & S745A**

**ANGLE SANDER / POLISHER**

**Wespro Pneumatic Tools**



<u>No.</u>	<u>Description</u>	<u>Order Code</u>	<u>Qty</u>	<u>No.</u>	<u>Description</u>	<u>Order Code</u>	<u>Qty</u>
1	Hose Adapter	100069	1				
2	Valve Body	184719	1	26	Motor Housing	168810	1
3	Screw	130571	8	27	Dead Handle	100088	1
5	Lever	100071	1	28	Spacer	100089	1
6	Lever Pin	100072	1	29	Retaining Ring	100090	1
8	Valve Stem	100073	1	30	Wave Washer	100091	1
9	O-Ring	130573	1	31	Bevel Gear (P725A)	100093	1
10	Spring	130574	1		Bevel Gear (S745A)	100092	1
11	Air Regulator	100076	1	32	Key	130580	1
12	O-Ring	130575	1	33	Gear Shaft	100095	1
13	O-Ring	130576	1	34	Exhaust Deflector	100096	1
14	Valve Screw	100079	1	35	Screw	100097	2
15	Bearing Cap	100080	1	36	Housing Cap	150381	1
16	Retaining Ring	100081	1	38	Ball Bearing	112048	1
17	Ball Bearing	112040	3	39	Retaining Ring	100099	1
18	Rear Plate	146700	1	40	Pad Nut	100100	1
19	Rotor Blade	100083	4	41	Gasket	100101	1
20	Rotor (P725A)	99574	1	42	Gasket	100102	1
	Rotor (S745A)	100084	1	43	Pad	93310	1
21	Pin	<b>WP SP025</b>	1	45	Gasket	100104	1
22	Cylinder (c/w Pin #21)	100085	1	46	Plastic Cover	<b>WP 829046</b>	1
23	Front Plate	100086	1	47	Disc Spanner	100105	1
24	Ball Bearing	112934	1	48	Spanner	100106	1
25	Pinion Gear (P725A)	99573	1	49	Rubber	100107	1