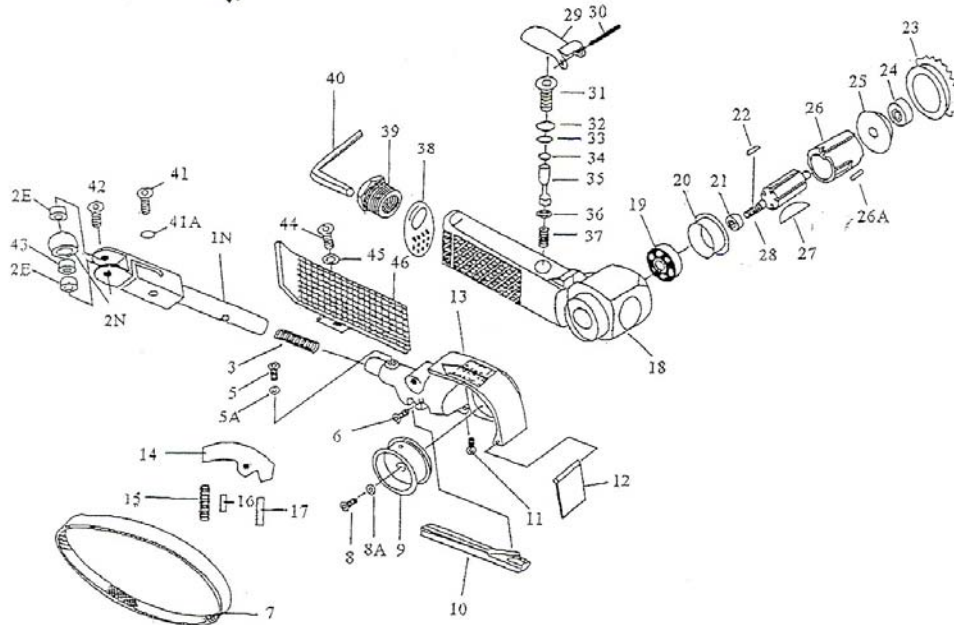




**MB750E**

**BELT SANDER**

**Wespro Pneumatic Tools**



<u>No.</u>	<u>Description</u>	<u>Order Code</u>	<u>Qty</u>	<u>No.</u>	<u>Description</u>	<u>Order Code</u>	<u>Qty</u>
1N	Idle Pulley Bracket Ass'y	189982	1	24	Ball Bearing	112054	1
2	Idle Pulley Ass'y (#2N,2E,43)	<b>WP 311N002</b>	1	25	Rear End Plate	178885	1
2N	Idle Pulley	178891	1	26	Cylinder	178886	1
2E	Ball Bearing	112057	2	26A	Pin	178887	1
3	Spring	<b>WP 311003</b>	1	27	Rotor Blade	178367	5
5	Screw	186878	1	28	Rotor	178888	1
5A	Spring Washer	186882	1	29	Throttle Lever	178870	1
6	Screw	<b>WP B2-0512A</b>	1	30	Lever Pin	178871	1
7	Sanding Belt	See Wespro cat.	1	31	Bushing	178872	1
8	Screw	<b>WP B2-0616A</b>	1	32	O-Ring	178873	1
8A	Washer	187077	1	33	O-Ring	178873	1
9	Drive Pulley	178912	1	34	O-Ring	187079	1
10	Flat Shoe	187069	1	35	Valve Stem	178874	1
11	Screw	<b>WP B2-0515A</b>	1	36	O-Ring	178875	1
12	Dust Cover	178662	1	37	Spring	178876	1
13	Guard Body	189983	1	38	Deflector	178878	1
14	Safety Lever	178903	1	39	Air Inlet	178879	1
15	Spring	187078	1	40	Wrench	31969	1
16	Lever Pin	178904	1	41	Screw	187070	1
17	Lever Pin	178905	1	41A	Retainer Ring	187080	1
18	Housing	<b>WP 311018</b>	1	42	Idle Pulley Screw	187071	1
19	Ball Bearing	112024	1	43	Washer	178892	1
20	Front End Plate	178882	1	44	Screw	<b>WP B2-0616A</b>	1
21	Spacer	178883	1	45	Spring Washer	<b>WP TWA060</b>	1
22	Key	178907	1	46	Finger Pad	193294	1
23	Cap	178884	1				