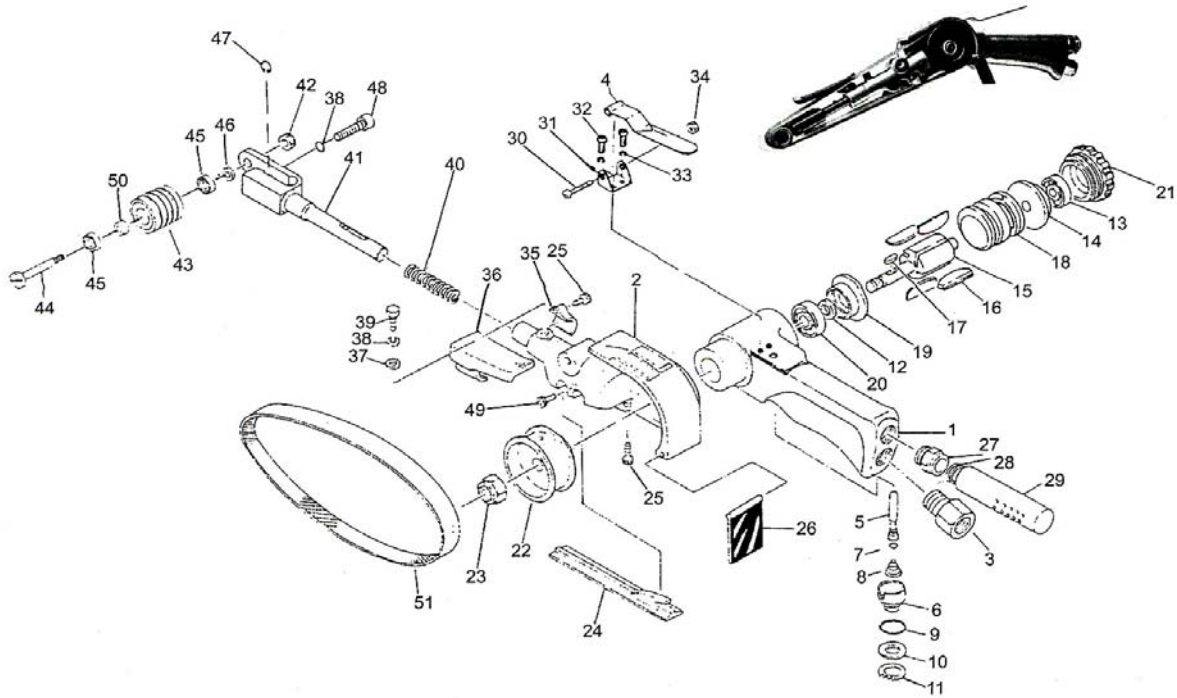




MB750

BELT SANDER

Wespro Pneumatic Tools



<u>No.</u>	<u>Description</u>	<u>Order Code</u>	<u>Qty</u>	<u>No.</u>	<u>Description</u>	<u>Order Code</u>	<u>Qty</u>
1	Housing	88174	1	27	Nipple	88198	1
2	Guard Body	85875	1	28	Spring	88199	1
3	Air Inlet	88175	1	29	Silencer	88200	1
4	Lever	88176	1	30	Screw	88201	1
5	Valve Stem	88177	1	31	Lever Support	88202	1
6	Adjust Valve	88178	1	32	Screw	88204	1
7	O-Ring	88179	1	33	Spring Washer	88203	1
8	Spring	88181	1	34	Hex. Nut	88205	1
9	O-Ring	88180	1	35	Bushing	88206	1
10	Spacer	88182	1	36	Finger Pad	88094	1
11	Retaining Ring	88183	1	37	Washer	88207	1
12	Spacer	88184	1	38	Spring Washer	88208	2
13	Ball Bearing	112040	1	39	Screw	88209	1
14	Rear End Plate	88186	1	40	Spring	88211	1
15	Rotor	88187	1	41	Arm	88212	1
16	Blade	87486	4	42	Nut	88213	1
17	Sunk Key	88188	1	43	Contact Wheel	88214	1
18	Cylinder	88189	1	44	Shaft	88216	1
19	Front End Plate	88190	1	45	Ball Bearing	112057	2
20	Ball Bearing	112028	1	46	Spacer	88221	1
21	Cap	88192	1	47	Retaining Ring	88222	1
22	Drive Pulley	88193	1	48	Screw	88225	1
23	Hex. Nut	88194	1	49	Screw	88226	1
24	Shoe	88195	1	50	Spacer	88227	1
25	Bolt	106287	1	51	Sanding Belt	See Wespro Cat.	1
26	Dust Cover	88197	1				