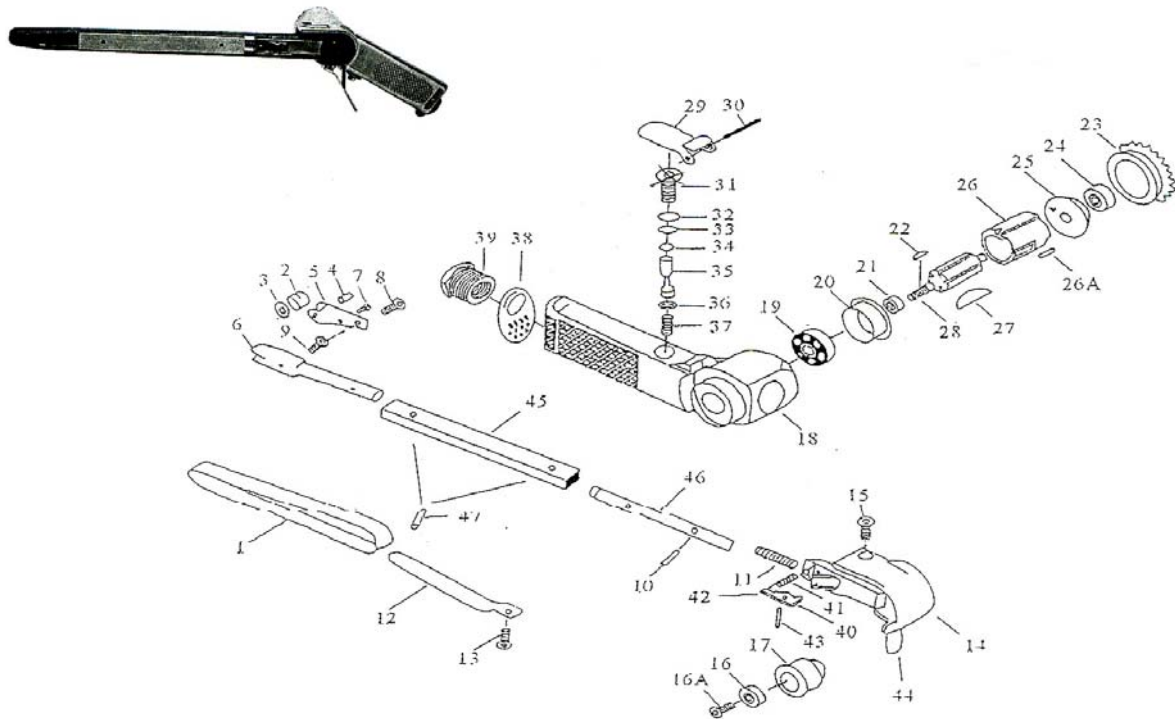




MB500E

BELT SANDER

Wespro Pneumatic Tools



<u>No.</u>	<u>Description</u>	<u>Order Code</u>	<u>Qty</u>	<u>No.</u>	<u>Description</u>	<u>Order Code</u>	<u>Qty</u>
1	Sanding Belt	See Wespro Cat.	1	25	Rear End Plate	178885	1
2	Idle Pulley Assembly (#2A,2B,3)	WP 311B02	1	26	Cylinder	178886	1
2A	Idle Pulley	178857	1	26A	Pin	178887	1
2B	Ball Bearing	112056	2	27	Rotor Blade	178367	4
3	Washer	178861	1	28	Rotor	178888	1
4	Idle Pulley Screw	188841	1	29	Throttle Lever	178870	1
5	Bracket	188842	1	30	Lever Pin	178871	1
6	Tension Bar	188843	1	31	Bushing	178872	1
7	Set Screw	WP S5-3006C	1	32	O-Ring	178873	1
8	Screw	WP SS-0308A	1	33	O-Ring	178873	1
9	Spring	188844	1	34	O-Ring	187079	1
10	Spring Pin	188845	2	35	Valve Stem	WP 302035	1
11	Spring	188846	1	36	O-Ring	178875	1
12	Shoe	187081	1	37	Valve Spring	178876	1
13	Screw	WP S4-4008C	1	38	Deflector	178878	1
14	Guard	WP 309A14	1	39	Air Inlet	178879	1
15	Screw	WP B2-0515A	1	40	Safety Lever	178880	1
16	Washer	187077	1	41	Spring	178914	1
16A	Screw	WP B2-0616A	1	42	Lever Pin	178904	1
17	Drive Pulley	178911	1	43	Lever Pin	178906	1
18	Housing	WP 309A18	1	44	Dust Cover	178881	1
19	Ball Bearing	112024	1	45	Extension Bar	178889	1
20	Front End Plate	178882	1	46	Rear Tension Bar	178890	1
21	Spacer	178883	1	47	Spring Pin	188847	2
22	Key	178907	1		Wrench 4 mm	31969	1
23	Cap	178884	1		Wrench 1.5mm	88311	1
24	Ball Bearing	112054	1				