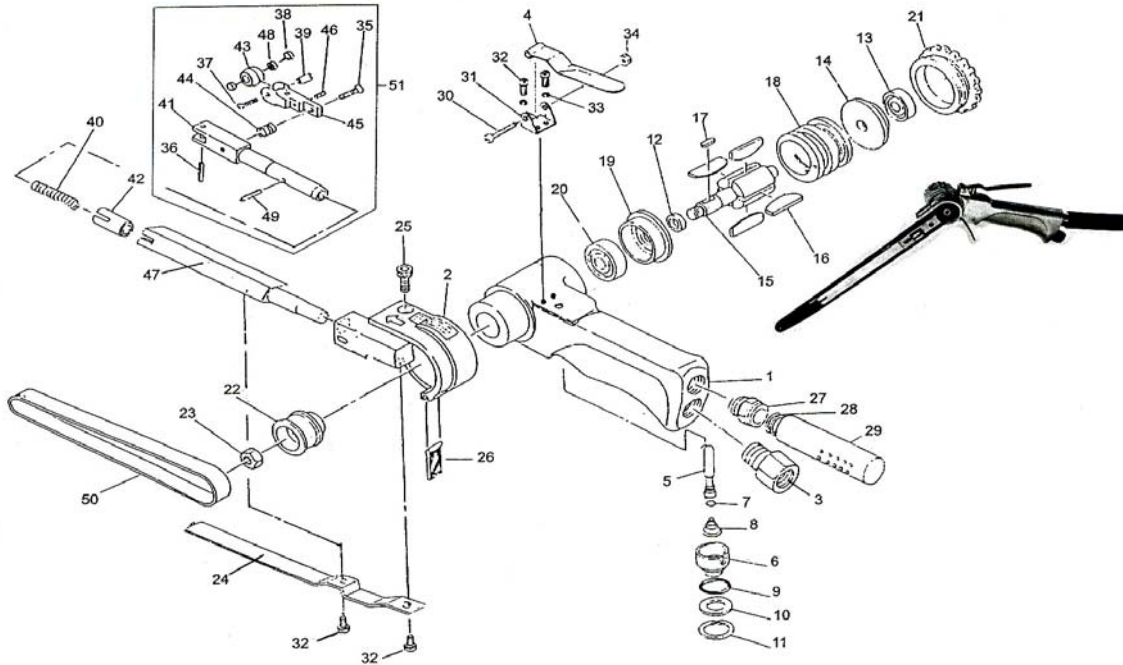




MB500

BELT SANDER

Wespro Pneumatic Tools



<u>No.</u>	<u>Description</u>	<u>Order Code</u>	<u>Qty</u>	<u>No.</u>	<u>Description</u>	<u>Order Code</u>	<u>Qty</u>
1	Housing	124308	1	27	Nipple	88198	1
2	Guard Body	102735	1	28	Spring	88199	1
3	Air Inlet	88175	1	29	Silencer	88200	1
4	Lever	88176	1	30	Screw	88201	1
5	Valve Stem	88177	1	31	Lever Support	88202	1
6	Adjust Valve	88178	1	32	Screw	88204	4
7	O-Ring	88179	1	33	Spring Washer	88203	2
8	Spring	88181	1	34	Hex. Nut	88205	1
9	O-Ring	88180	1	35	Screw	94379	1
10	Spacer	88182	1	36	Spring Pin	94380	1
11	Retaining Ring	88183	1	37	Screw	88263	1
12	Spacer	94365	1	38	Ball Bearing	112056	2
13	Ball Bearing	112037	1	39	Idle Pulley Shaft	98625	1
14	Rear End Plate	94367	1	40	Spring	102738	1
15	Rotor	94368	1	41	Tension Bar (c/w #49)	94381	1
16	Blade	88262	4	42	Bushing (Sold with #47)	163770	1
17	Sunk Key	94369	1	43	Contact Wheel Assembly	98622	1
18	Cylinder	94370	1	44	Spring Pin	94383	1
19	Front End Plate	94371	1	45	Bracket	102737	1
20	Ball Bearing	112055	1	46	Screw	94385	1
21	Cap	94373	1	47	Extension Bar (c/w #42)	122470	1
22	Drive Pulley	94374	1	48	Spacer (Sold with #43)	152040	1
23	Hex. Nut	94375	1	49	Lock Pin	94389	1
24	Shoe	102736	1	50	Sanding Belt	See Wespro Cat.	1
25	Bolt	94377	1	51	Contact Arm Assembly	87807	1
26	Dust Cover	94378	1				