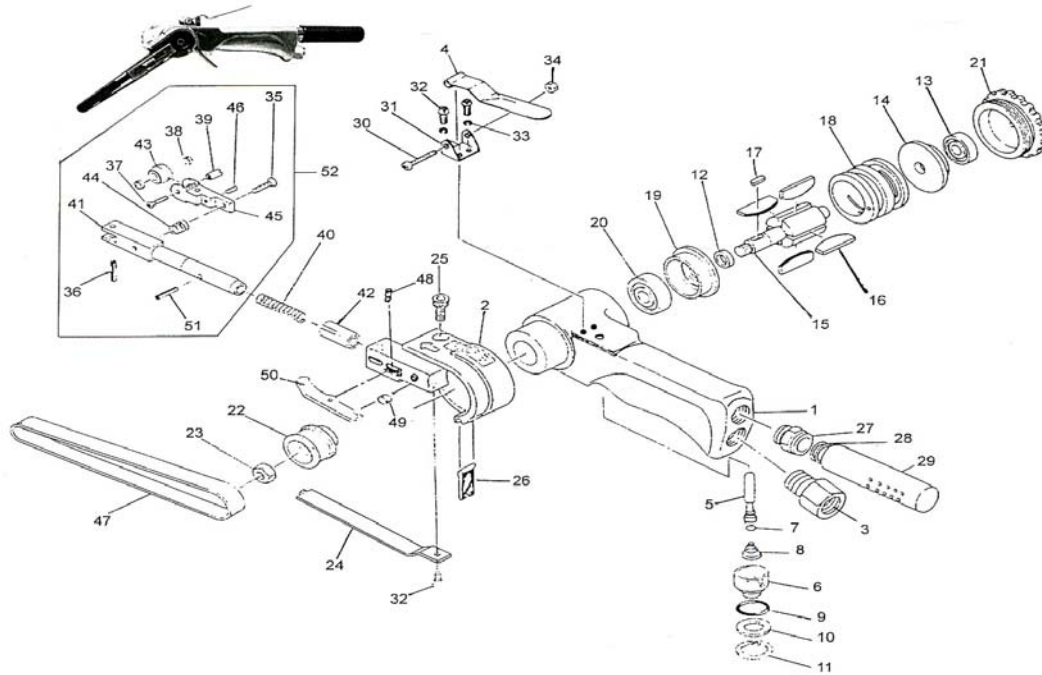




MB375

BELT SANDER

Wespro Pneumatic Tools



<u>No.</u>	<u>Description</u>	<u>Order Code</u>	<u>Qty</u>	<u>No.</u>	<u>Description</u>	<u>Order Code</u>	<u>Qty</u>
1	Housing	124308	1	27	Nipple	88198	1
2	Guard Body (c/w #26)	90972	1	28	Spring	88199	1
3	Air Inlet	88175	1	29	Silencer	88200	1
4	Lever	88176	1	30	Screw	88201	1
5	Valve Stem	88177	1	31	Lever Support	88202	1
6	Adjust Valve	88178	1	32	Screw	88204	3
7	O-Ring	88179	1	33	Spring Washer	88203	2
8	Spring	88181	1	34	Hex. Nut	88205	1
9	O-Ring	88180	1	35	Screw	94379	1
10	Spacer	88182	1	36	Spring Pin	94380	1
11	Retainer Ring	88183	1	37	Screw	88263	1
12	Spacer	94365	1	38	Ball Bearing	112056	2
13	Ball Bearing	112037	1	39	Idle Pulley Shaft	88265	1
14	Rear End Plate	94367	1	40	Spring	91763	1
15	Rotor	94368	1	41	Tension Bar (c/w #51)	94381	1
16	Blade	88262	4	42	Bushing	94382	1
17	Sunk Key	94369	1	43	Contact Wheel Ass'y	88919	1
18	Cylinder	94370	1	44	Spring Pin	94383	1
19	Front End Plate	94371	1	45	Bracket	94384	1
20	Ball Bearing	112055	1	46	Set Screw	94385	1
21	Cap	94373	1	47	Sanding Belt	See Wespro Cat.	1
22	Drive Pulley	94374	1	48	Spring Pin	94386	1
23	Hex. Nut	94375	1	49	Spring	94387	1
24	Shoe	94376	1	50	Safety Lever	94388	1
25	Bolt	94377	1	51	Lock Pin	94389	1
26	Dust Cover	94378	1	52	Contact Arm Assembly	87806	1