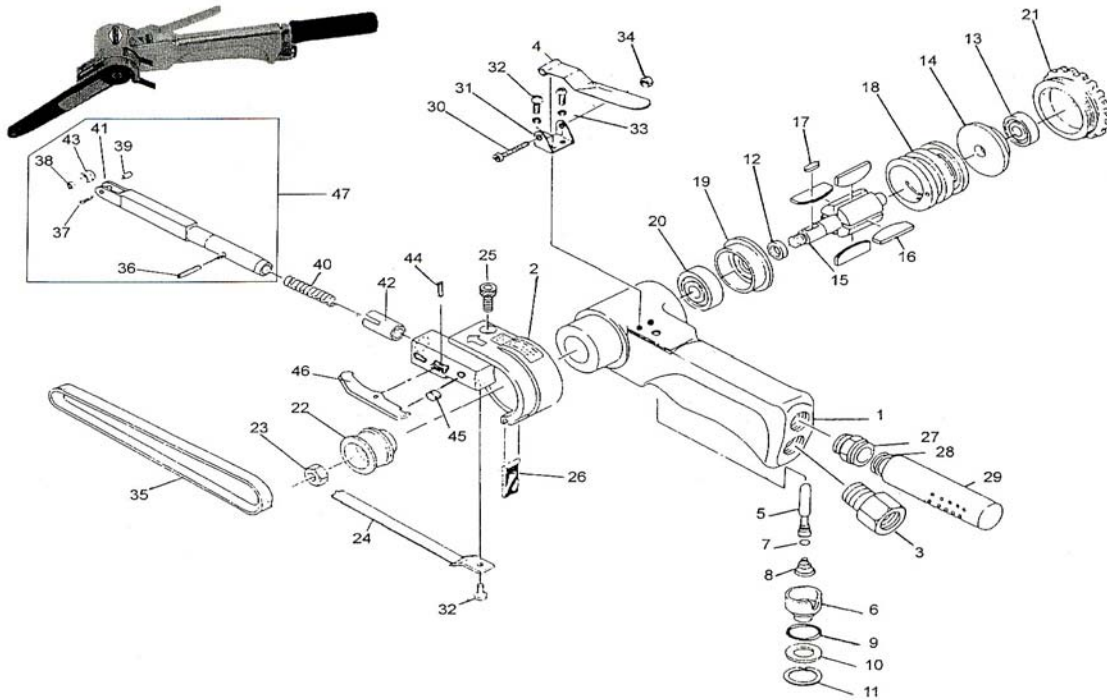




MB250

BELT SANDER

Wespro Pneumatic Tools



<u>No.</u>	<u>Description</u>	<u>Order Code</u>	<u>Qty</u>	<u>No.</u>	<u>Description</u>	<u>Order Code</u>	<u>Qty</u>
1	Housing	124308	1	25	Bolt	94377	1
2	Guard Body (with #26)	90972	1	26	Dust Cover	94378	1
3	Air Inlet	88175	1	27	Nipple	88198	1
4	Lever	88176	1	28	Spring	88199	1
5	Valve Stem	88177	1	29	Silencer	88200	1
6	Adjust Valve	88178	1	30	Screw	88201	1
7	O-Ring	88179	1	31	Lever Support	88202	1
8	Spring	88181	1	32	Screw	88204	3
9	O-Ring	88180	1	33	Spring Washer	88203	2
10	Spacer	88182	1	34	Hex. Nut	88205	1
11	Retainer Ring	88183	1	35	Sanding Belt	See Wespro Cat.	1
12	Spacer	94365	1	36	Lock Pin	94389	1
13	Ball Bearing	112037	1	37	Screw	99263	1
14	Rear End Plate	94367	1	38	Ball Bearing	112056	1
15	Rotor	94368	1	39	Idle Pulley Shaft	88260	1
16	Blade	88262	4	40	Spring	91763	1
17	Sunk Key	94369	1	41	Tension Bar	WP 60641	1
18	Cylinder	94370	1	42	Bushing	135730	1
19	Front End Plate	94371	1	43	Contact Wheel	88261	1
20	Ball Bearing	112055	1	44	Spring Pin	94383	1
21	Cap	94373	1	45	Spring	94387	1
22	Drive Pulley	94374	1	46	Safety Lever	94388	1
23	Hex. Nut	94375	1	47	Contact Arm Assembly	87805	1
24	Shoe	113590	1				