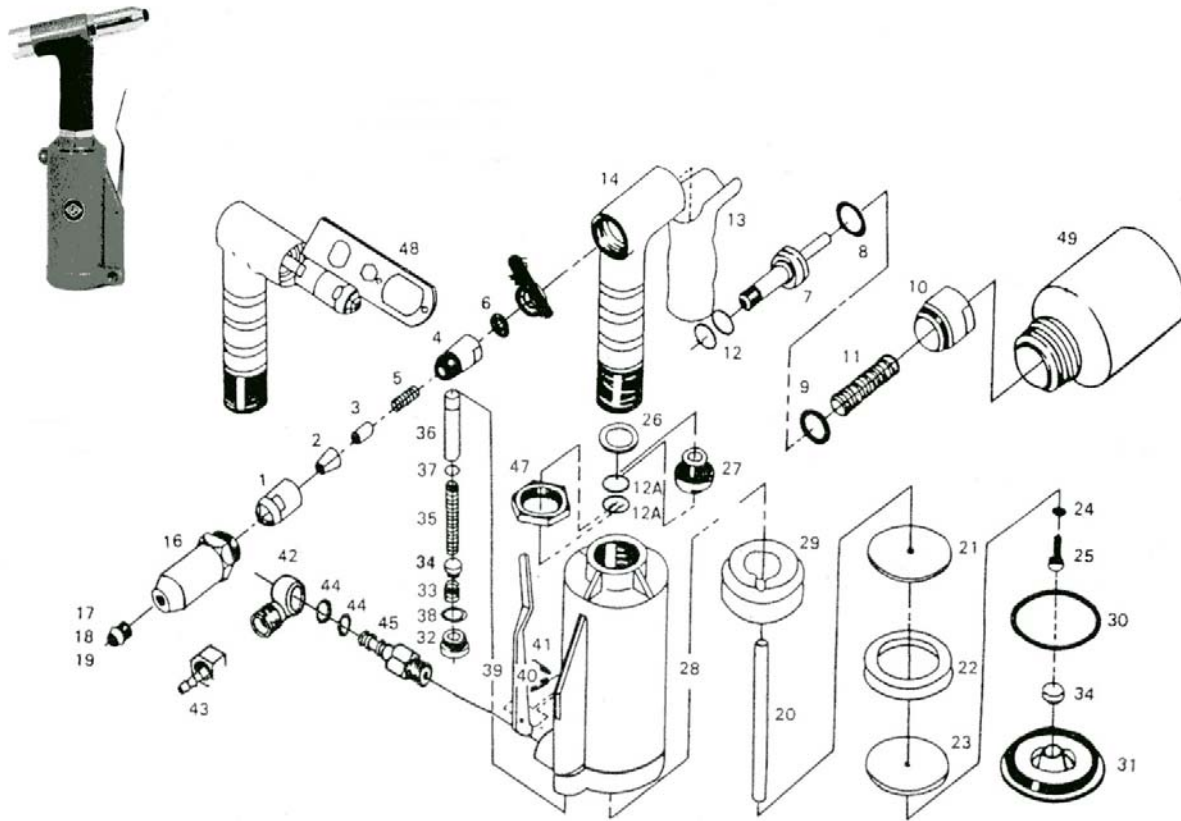




BR316A

BLIND RIVETER

Wespro Pneumatic Tools



<u>No.</u>	<u>Description</u>	<u>Order Code</u>	<u>Qty</u>	<u>No.</u>	<u>Description</u>	<u>Order Code</u>	<u>Qty</u>
1	Jaw Housing	WP 700-01	1	26	O-Ring Seal	148591	1
2	Jaw	145673	2	27	Hydraulic Rod Guide	145906	1
3	Jaw Pusher	145674	1	28	Air Cylinder Body	145919	1
4	Jaw Housing Coupler	WP 700-04	1	29	Damping Ring	145920	1
5	Spring	145678	1	30	O-Ring Seal	145921	1
6	Nut	145892	1	31	Air Cylinder Cap	145922	1
7	Hydraulic Plunger	145893	1	32	Screw Plug	145923	1
8	O-Ring	145894	1	33	Valve Pressure Spring	WP 700-33	1
9	Washer	145895	1	34	Valve Plate	WP 700-34	2
10	Screw Plug	144701	1	35	Valve Spring	WP 700-35	1
11	Hydraulic Return Spring	145896	1	36	Valve Tube	WP 700-36	1
12	O-Ring Seal	145897	2	37	O-Ring - Valve Tube	WP 700-37	1
12A	O-Ring Seal	145898	2	38	O-Ring - Screw Plug	145924	1
13	Hand Grip	WP 700-13	1	39	Trigger Arm	145925	1
14	Hydraulic Section	WP 700-14	1	40	Spring	WP 700-40	1
16	Head	145679	1	41	Roll Pin	WP 700-41	1
17	Nosepiece 1/8"	145899	1	42A	Air Inlet Fitting (Including #42,43,44,45)	142708	1
18	Nosepiece 5/32"	145900	1	43	Air Inlet Fitting (Optional)		1
19	Nosepiece 3/16"	145901	1	44	O-Ring Seal		3
20	Plunger Rod	145902	1	45	Air Inlet Plug		1
21	Front Piston Head Disc	145903	1	47	Lock Nut	145926	1
22	Piston Head Packing Ring	145904	1	48	Wrench	WP 700-48	1
23	Rear Piston Head Disc	145905	1	49	Plastic bottle	WP 700-49	1
24	Piston Head Spring Washer	WP 700-24	1	50	Wrench	105637	2
25	Piston Head Lock Screw	WP 700-25	1				