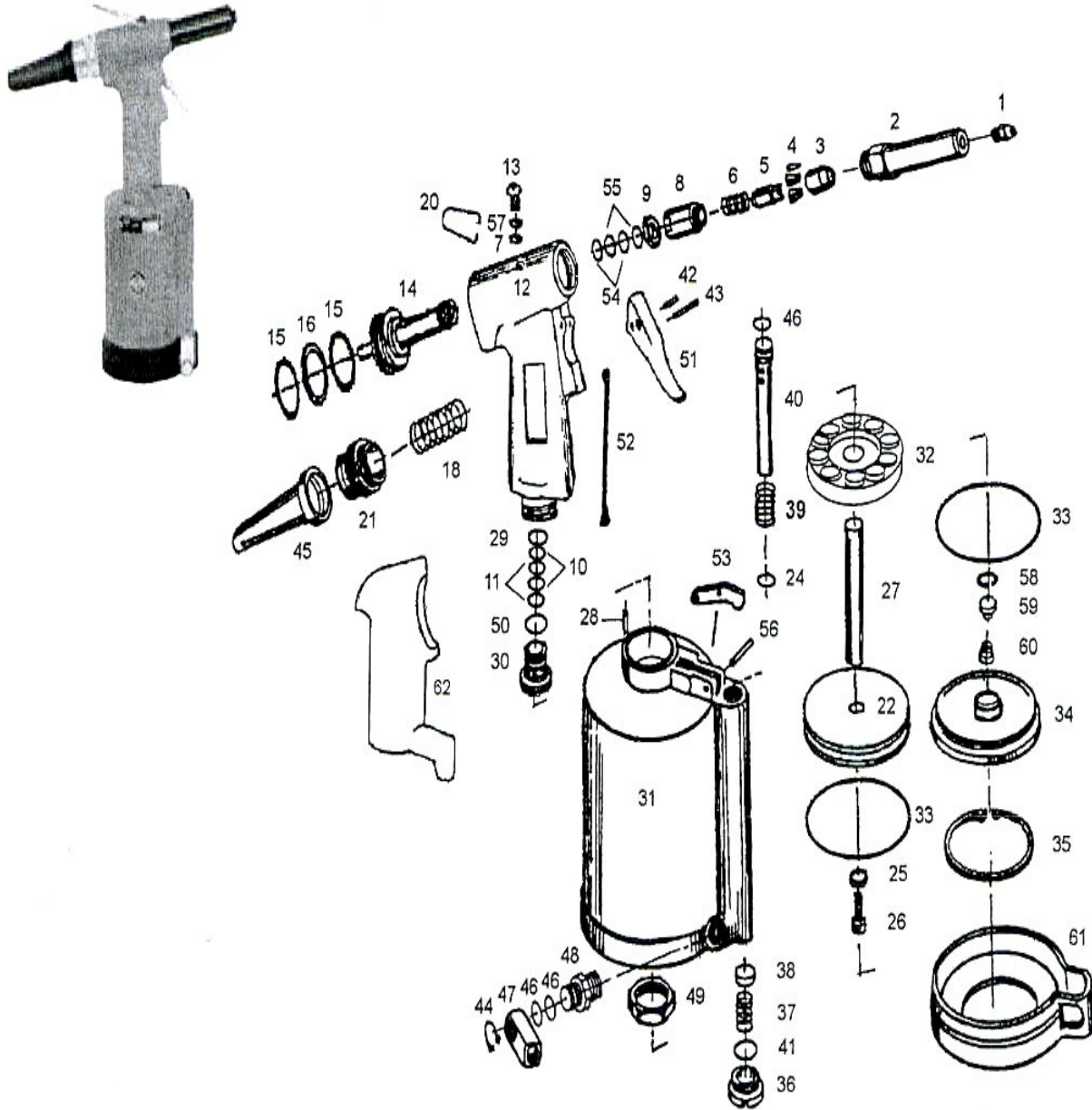




**BR250HD**

**BLIND RIVETER**

**Wespro Pneumatic Tools**



**BR250HD****BLIND RIVETER****Wespro Pneumatic Tools****Optional Accessories:**\* 3/16" nosepiece for monobolt Order Code 213705.\* 1/4" nosepiece for monobolt Order Code 213706.\* 3/16" nosepiece for Magna-Lok Order Code 213707.\* 1/4" nosepiece for Magna-Lok Order Code 213708.

<u>No.</u>	<u>Description</u>	<u>Order Code</u>	<u>Qty</u>	<u>No.</u>	<u>Description</u>	<u>Order Code</u>	<u>Qty</u>
1	1/4" Nosepiece	106160	1	34	Air Cylinder Cap	188170	1
	3/16" Nosepiece	188085	1	35	Clip	97052	1
	5/32" Nosepiece	188084	1	36	Screw Plug	97053	1
	1/8" Nosepiece	188083	1	37	Valve Pressure Spring	85478	1
2	Head	129789	1	38	Valve Plate	88439	1
3	Jaw Housing	106147	1	39	Valve Spring	97054	1
4	Heavy Duty Jaw	105915	3	40	Valve Rod	187708	1
	Jaw (for rivets 1/8" & 5/32")	104725	3	41	O-Ring	188172	1
5	Jaw Pusher	187405	1	42	Pin	<b>WP 02168H</b>	1
6	Spring	188081	1	43	Pin	106126	1
7	O-Ring Seal	190375	1	44	Retaining Ring	106143	1
8	Jaw Housing Coupler	106088	1	45	Safety Cap	106124	1
9	Nut	106148	1	46	O-Ring Seal	85485	3
10	X-Ring Seal	97046	2	47	Air Inlet	85484	1
11	O-Ring Washer	97061	2	48	Air Inlet Plug	106144	1
12	Hydraulic Section	179513	1	49	Lock Nut	106134	1
13	Oil Plug	106116	1	50	O-Ring Seal	188141	1
14	Hydraulic Plunger	106149	1	51	Trigger	106127	1
15	O-Ring Seal	97034	2	52	Trigger Rod	140362	1
16	Washer	97035	1	53	Trigger Lever	188171	1
18	Return Spring	<b>WP 5002580</b>	1	54	X-Ring Seal	97037	2
20	Hanging Ring	106121	1	55	X-Ring Washer	97038	2
21	Screw Plug	<b>WP 500010</b>	1	56	Pin	106131	1
22	Piston Disc	106151	1	57	Fill Washer	140363	1
24	O-Ring Seal	97062	1	58	Retaining Ring	106145	1
25	Spring Washer	<b>WP 11526</b>	1	59	Rubber Plate	190369	1
26	Piston Head Lock Screw	106154	1	60	Spring	106146	1
27	Plunger Rod	97044	1	61	Rubber Cushion	<b>WP 54070</b>	1
28	Pin	213700	1	62	Hand grip	<b>WP 54061</b>	1
29	O-Ring Seal	188139	1		Spanner (17/19)	190397	2
30	Screw Plug	106132	1		Spanner (11/13)	190398	1
31	Air Cylinder Body	141321	1		Allen Wrench	31968	1
32	Damping Ring	<b>WP 500083</b>	1		Oil Syringe	120340	1
33	O-Ring Seal	97051	2				