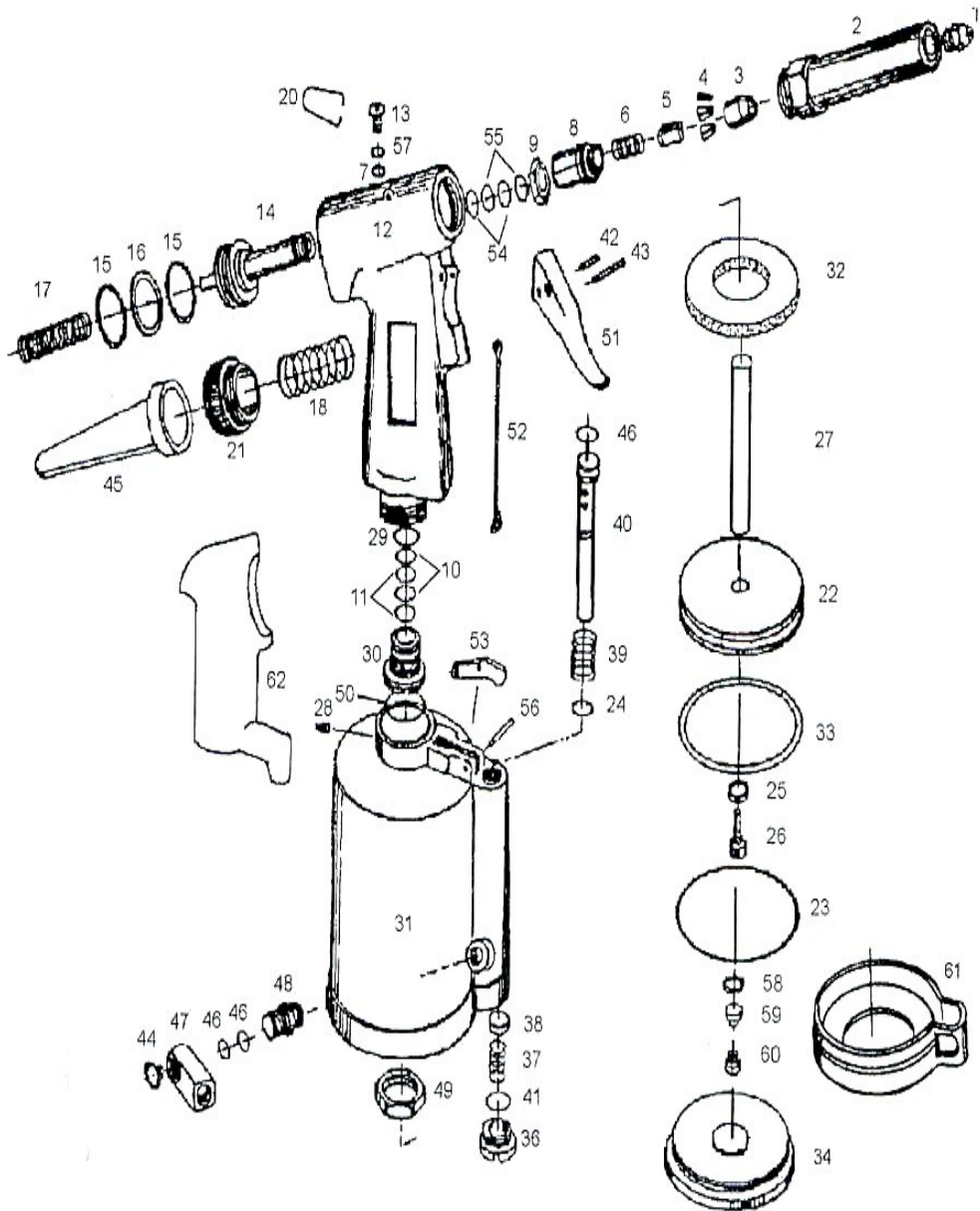




BR250B

BLIND RIVETER

Wespro Pneumatic Tools



br250b 07/06

Western Office 604-298-2933 Eastern Office 905-839-6111 www.wesproproductiontools.com

**BR250B****BLIND RIVETER****Wespro Pneumatic Tools**

<u>No.</u>	<u>Description</u>	<u>Order Code</u>	<u>Qty</u>	<u>No.</u>	<u>Description</u>	<u>Order Code</u>	<u>Qty</u>
1	1/4" Nosepiece	106160	1	33	Air Piston Ring	106141	1
	3/16" Nosepiece	188085	1	34	Air Cylinder Cap	106142	1
	5/32" Nosepiece	188084	1	36	Screw Plug	97053	1
	1/8" Nosepiece	188083	1	37	Valve Pressure Spring	85478	1
2	Head	129789	1	38	Valve Plate	88439	1
3	Jaw Housing	106147	1	39	Valve Spring	97054	1
4	Jaw	104725	3	40	Valve Tube	106135	1
5	Jaw Pusher	96293	1	41	O-Ring Seal	97056	1
6	Spring	188081	1	42	Pin	WP 02168H	1
7	O-Ring Seal	190375	1	43	Pin	106126	1
8	Jaw Housing Coupler	106088	1	44	Retaining Ring	106143	1
9	Nut	106148	1	45	Safety Cap	106124	1
10	X-Ring Seal	97046	2	46	O-Ring Seal	85485	3
11	O-Ring Washer	97061	2	47	Air Inlet	85484	1
12	Hydraulic Section	179513	1	48	Air Inlet Plug	106144	1
13	Oil Plug	106116	1	49	Lock Nut	106134	1
14	Hydraulic Plunger	106149	1	50	O-Ring Seal	188141	1
15	O-Ring Seal	97034	2	51	Trigger	106127	1
16	Washer	97035	1	52	Trigger Rod	106129	1
17	Return Spring	106118	1	53	Trigger Lever	120313	1
18	Return Spring	106119	1	54	X-Ring Seal	97037	2
20	Hanging Ring	106121	1	55	X-Ring Washer	97038	2
21	Screw Plug	WP 02110	1	56	Pin	106131	1
22	Piston Disc	106140	1	57	Fill Washer	140363	1
23	O-Ring Seal	85477	1	58	Retaining Ring	106145	1
24	O-Ring Seal	97062	1	59	Rubber Plate	190369	1
25	Spring Washer	WP 76527	1	60	Spring	106146	1
26	Piston Head Lock Screw	88437	1	61	Rubber Cushion	WP 54070	1
27	Plunger Rod	106139	1	62	Handing Grip	WP 54061	1
28	Set Screw	106156	1		Spanner (17/19)	190397	2
29	O-Ring Seal	188139	1		Spanner (11/13)	190398	1
30	Screw Plug	106132	1		Allen Wrench	31968	1
31	Air Cylinder Body	188142	1		Oil Syringe	120340	1
32	Damping Ring	106138	1				