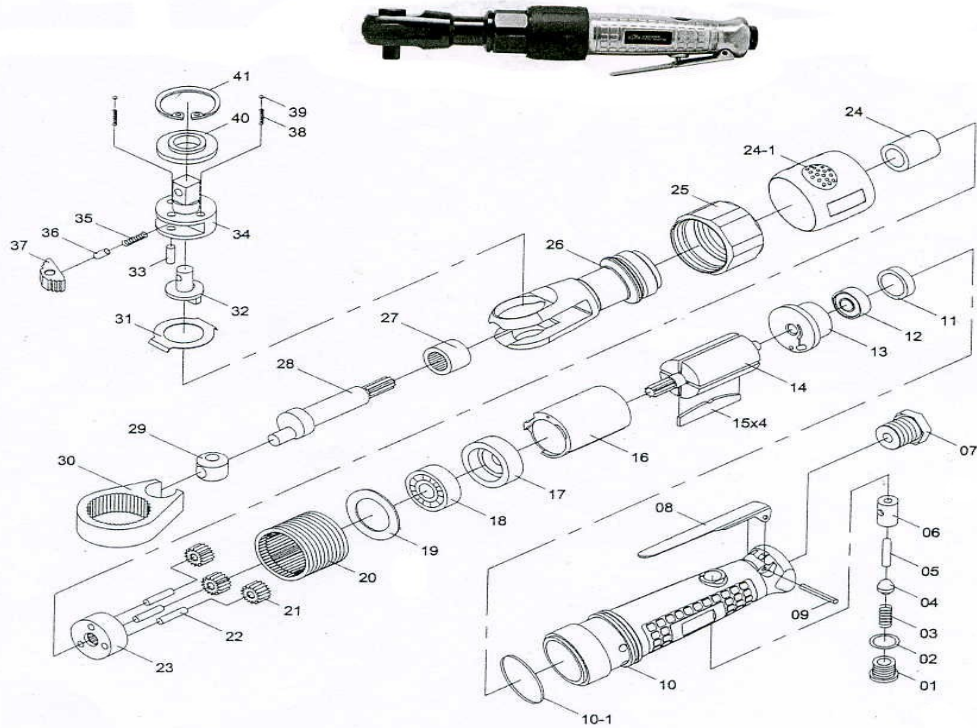




AR375CM & AR500CM HEAVY DUTY RATCHET WRENCH

Wespro Pneumatic Tools



* Ratchet Head Kit (3/8"), P#31 ~ 41, Order Code 174042

* Ratchet Head Kit (1/2"), P#31 ~ 41, Order Code 174043

<u>No.</u>	<u>Description</u>	<u>Order Code</u>	<u>Qty</u>	<u>No.</u>	<u>Description</u>	<u>Order Code</u>	<u>Qty</u>
1	Plug	204824	1	23	Gear Plate	194930	1
2	O-Ring	204825	1	24	Bushing	204836	1
3	Throttle Valve Spring	204826	1	24-1	Exhaust Deflector	204837	1
4	Valve	174021	1	25	Clamp Nut	WP 242-00302	1
5	Valve Stem	204827	1	26	Ratchet Housing	204845	1
6	Valve Bushing	204840	1	27	Needle Bearing	204839	1
7	Air Inlet Bushing	204841	1	28	Crank Shaft	174039	1
8	Throttle Lever	204828	1	29	Drive Bushing	174040	1
9	Spring Pin	204842	1	30	Ratchet Yoke	174041	1
10	Handle	204843	1	31	Washer	204846	1
10-1	Exhaust Deflector Seal	204829	1	32	Reverse Button	204847	1
11	Bearing Cap	194839	1	33	Pawl Pin	204848	1
12	Ball Bearing	112054	1	34	Ratchet Anvil (3/8")	166706	1
13	Rear End Plate	174031	1		Ratchet Anvil (1/2")	166707	1
14	Rotor	174032	1	35	Spring	204949	1
15	Rotor Blade	174033	4	36	Spring Cap	204850	1
16	Cylinder	174034	1	37	Ratchet Pawl	204851	1
17	Front End Plate	174035	1	38	Friction Spring	204852	2
18	Ball Bearing	112040	1	39	Steel Ball	166673	2
19	Washer	204835	1	40	Thrust Washer (3/8")	204855	1
20	Internal Gear	174037	1		Thrust Washer (1/2")	166674	1
21	Planet Gear	174038	3	41	Retaining Ring	204856	1
22	Gear Pivot	194929	3				