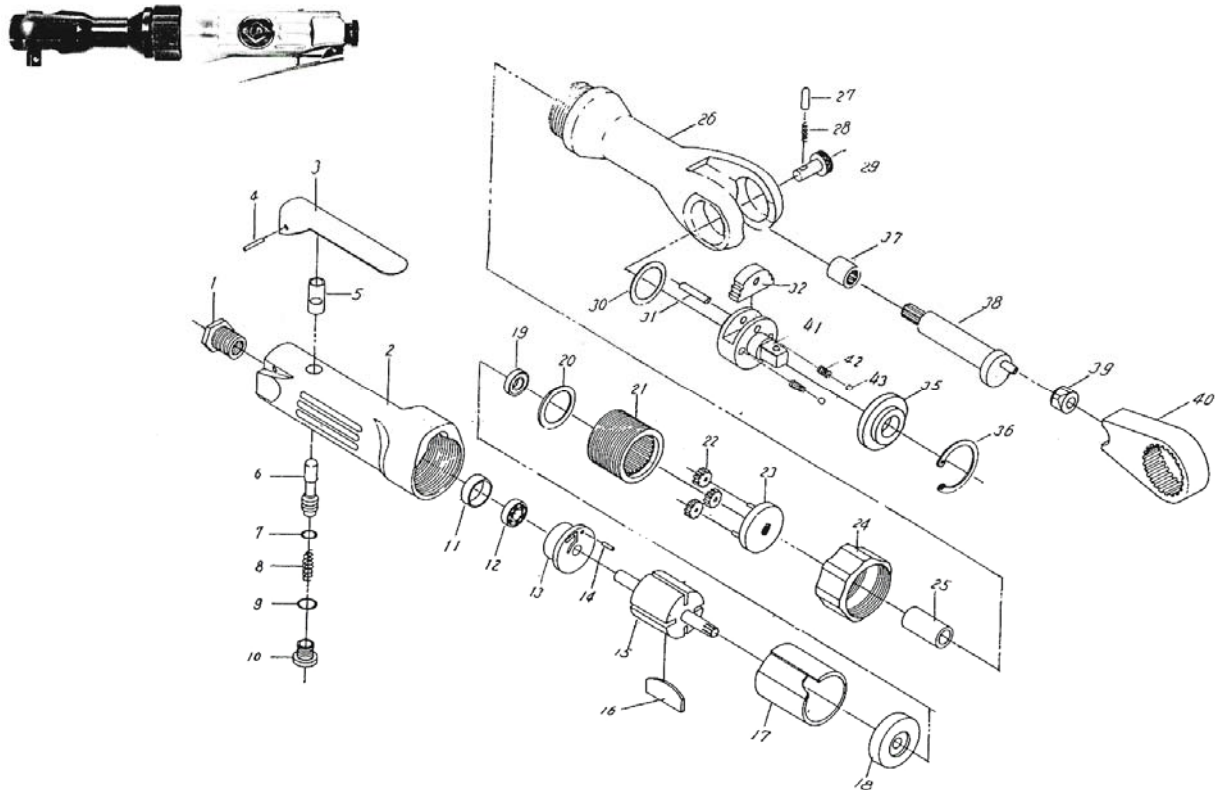




AR375B & AR500B STANDARD DUTY RATCHET WRENCH

Wespro Pneumatic Tools



* Ratchet Anvil Assembly for AR375B Order Code 180275 (Including #27 ~ 32, 41, 42 & 43).

* Ratchet Anvil Assembly for AR500B Order Code 189893 (Including #27 ~ 32, 41, 42 & 43).

No.	Description	Order Code	Qty	No.	Description	Order Code	Qty
1	Air Inlet	166681	1	23	Gear Plate	166695	1
2	Throttle Handle	166682	1	24	Clamp Nut	166664	1
3	Throttle Lever	166683	1	25	Bushing	166696	1
4	Pin	166684	1	26	Ratchet Housing	166697	1
5	Bushing	166686	1	27	Pin	166698	1
6	Valve	166934	1	28	Spring	166699	1
7	O-Ring	166687	1	29	Reverse Button	166700	1
8	Spring	166688	1	30	Washer	166667	1
9	O-Ring	166689	1	31	Dowel Pin	166677	1
10	Plug	166690	1	32	Pawl (Alloy)	166678	1
11	Bearing Cap	166647	1	35	Washer (for AR375B)	166702	1
12	Ball Bearing	112077	1		Washer (for AR500B)	166674	1
13	Rear End Plate	166691	1	36	Retaining Ring	166703	1
14	Pin	166692	1	37	Needle Bearing	166704	1
15	Rotor	166693	1	38	Crank Shaft	166705	1
16	Rotor Blade	130659	4	39	Drive Bushing	166669	1
17	Cylinder	166652	1	40	Yoke (Alloy)	166670	1
18	Front End Plate	166653	1	41	Ratchet Anvil (for AR375B)	166706	1
19	Ball Bearing	112040	1		Ratchet Anvil (for AR500B)	166707	1
20	Washer	166654	1	42	Spring	166672	2
21	Internal Gear	166694	1	43	Steel Ball	166673	2
22	Planet Gear	133857	3				