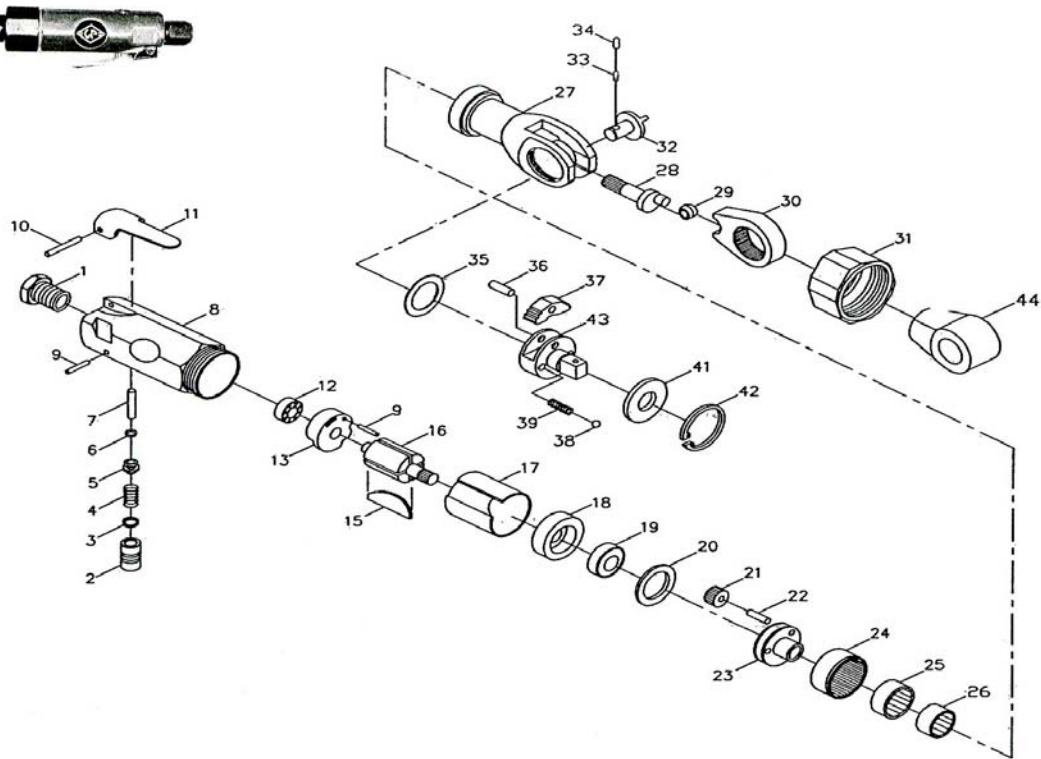




AR250 & AR375M MINI RATCHET WRENCH

Wespro Pneumatic Tools



* Ratchet Anvil Assembly for AR250 Order Code 103610 (Including #32 ~ 39 & 43).

* Ratchet Anvil Assembly for AR375M Order Code 149023 (including #32 ~ 39 & 43).

<u>No.</u>	<u>Description</u>	<u>Order Code</u>	<u>Qty</u>	<u>No.</u>	<u>Description</u>	<u>Order Code</u>	<u>Qty</u>
1	Air Inlet	173828	1	24	Internal Gear	151370	1
2	Regulator	WP 126202-1GR0	1	25	Needle Bearing	166665	1
3	O-Ring	166743	1	26	Needle Bearing	195639	1
4	Spring	WP 126204-1AA0	1	27	Ratchet Housing	143940	1
5	Valve Bushing	WP 126305-1AA0	1	28	Crank Shaft	151371	1
6	O-Ring	130275	1	29	Drive Bushing	150347	1
7	Valve Plunger	205962	1	30	Yoke	143684	1
8	Handle	193162	1	31	Lock Nut	110781	1
9	Pin	205956	2	32	Reverse Button	WP 126232-1JB0	1
10	Pin	133836	1	33	Spring	WP 126233-1AA0	1
11	Lever	205963	1	34	Lock Pin	WP 126234-1JB0	1
12	Ball Bearing	112062	1	35	Washer	WP 126235-1JB0	1
13	Rear End Plate	151365	1	36	Pawl Pin	150349	1
15	Rotor Blade	143938	4	37	Ratchet Pawl	150348	1
16	Rotor	151366	1	38	Steel Ball	WP 106232-1AA0	2
17	Cylinder	143937	1	39	Spring	WP 106231-1AA0	2
18	Front End Plate	151367	1	41	Washer (for AR250)	162027	1
19	Ball Bearing	112040	1		Washer (for AR375M)	163737	1
20	Washer	WP 126220-1AA0	1	42	Retaining Ring	162029	1
21	Gear	143939	3	43	Ratchet Anvil (for AR250)	103610	1
22	Gear Pin	WP 126222-1AA0	3		Ratchet Anvil (for AR375M)	166665	1
23	Gear Plate	151368	1	44	Boot	150346	1