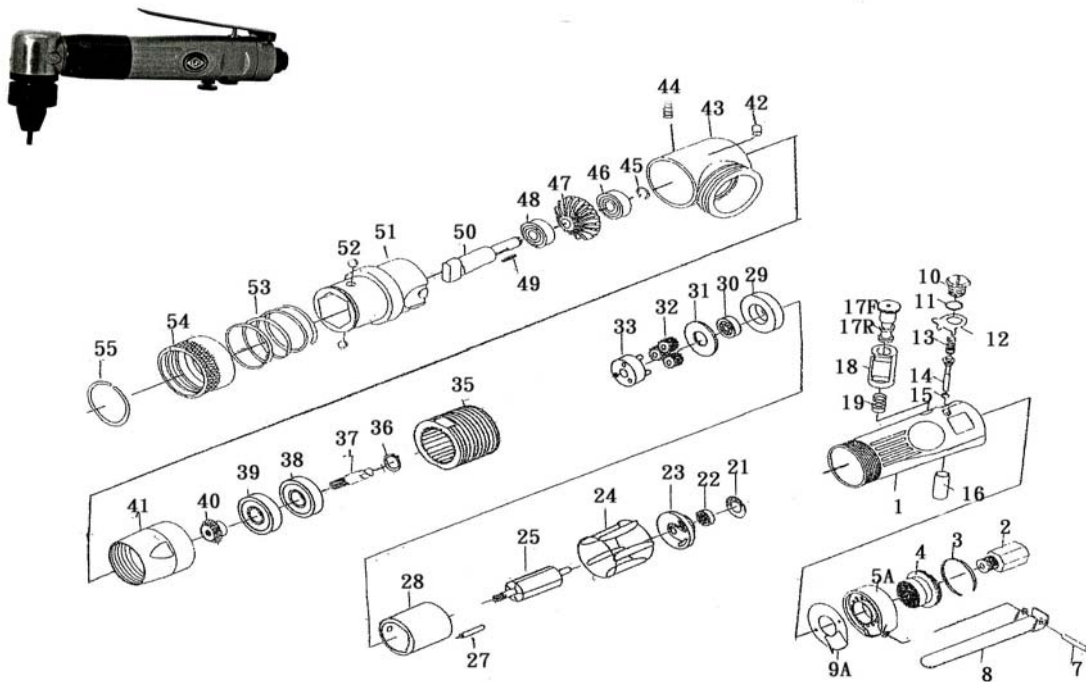




# PS2200A ANGLE PULL SETTER

## Wespro Pneumatic Tools



<u>No.</u>	<u>Description</u>	<u>Order Code</u>	<u>Qty</u>	<u>No.</u>	<u>Description</u>	<u>Order Code</u>	<u>Qty</u>
1	Motor Housing	175778	1	29	Front End Plate	149255	1
2	Air Inlet	148378	1	30	Ball Bearing	112054	1
3	Retainer Ring	148526	1	31	Washer	149211	1
4	Deflector	148527	1	32	Planet Gear	149286	3
5A	Silencer	173059	1	33	Gear Gage	149287	1
7	Lever Pin	148530	1	35	Internal Gear	149288	1
8	Lever	133835	1	36	Retainer Ring	149223	1
9A	Exhaust Cover	169304	1	37	Gear spindle	175295	1
10	Valve Screw	148533	1	38	Ball Bearing	112926	1
11	O-Ring	148534	1	39	Ball Bearing	112029	1
12	Reverse Retainer	148535	1	40	Pinion	175296	1
13	Valve Spring	148536	1	41	Lock Ring	175298	1
14	Throttle Valve	148537	1	42	Grease Fitting	175300	1
15	O-Ring	148538	1	43	Angle Housing	175301	1
16	Valve Bushing	148539	1	44	Set Screw	175302	1
17R	Reverse Valve (W Type)	169487	1	45	Retainer Ring	175303	1
17F	Reverse Valve (S Type)	112021	1	46	Ball Bearing	112054	1
18	Reverse Valve Bushing	148541	1	47	Gear	175304	1
19	Reverse Valve Spring	148542	1	48	Ball Bearing	112027	1
21	Gasket	149205	1	49	Key	175305	1
22	Ball Bearing	112062	1	50	Drive Spindle	175306	1
23	Rear End Plate	149206	1	51	Nose Housing	175307	1
24	Rotor Blade	147473	5	52	Steel Ball	175275	1
25	Rotor	149253	1	53	Spring	175309	1
27	Roller Pin	149208	2	54	Quick Change Sleeve	175331	1
28	Cylinder	149209	1	55	Circlip	149236	1