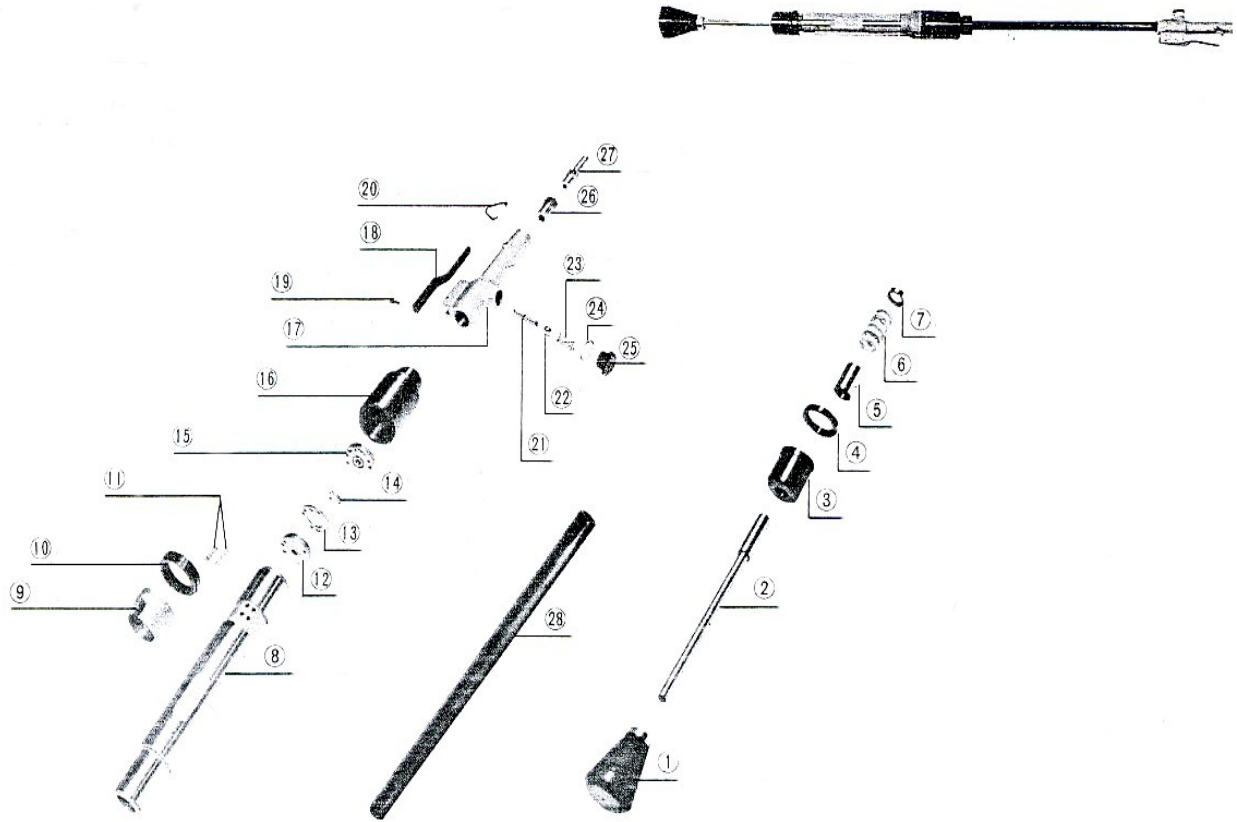


NKS FR-1, 2 SANDER RAMMER

Wespro Pneumatic Tools



No.	Description	FR-1	FR-2	Qty	No.	Description	FR-1	FR-2	Qty
1	Rubber Butt	60973	45178	1	15	Upper Valve Seat	111466	59831	1
	Steel Butt	147963	151772	1	16	Cap	140103	139860	1
2	Piston	101610	59821	1	17	Handle Assembly		101012	1
3	Gland	140093	59819	1	18	Throttle Lever	99681	99681	1
4	Gland Nut	140099	139855	1	19	Lever Pin			2
5	Piston Bushing	178972	59820	1	20	Throttle Lever Lock	96861	96861	1
6	Leather Packing	111470	59823	5	21	Throttle Pin	99682	99682	1
7	Packing Bushing	128583	59825	1	22	Throttle Valve	99683	99683	1
8	Cylinder	140100	139853	1	23	Throttle Spring	135770	99684	1
9	Exhaust Deflector	59826	59826	1	24	Packing Cover	34580	34580	1
10	Lock Nut	140102	139858	1	25	Throttle Spring Holder	99685	99685	1
11	Valve Pin	86667	86667	2	26	Air Inlet Bushing			1
12	Lower Valve Seat	111469	59827	1	27	Air Hose Nipple			1
13	Valve Case	111467	59828	1	28	Connecting Rod	140104	139861	1
14	Centre Valve		59829	1					