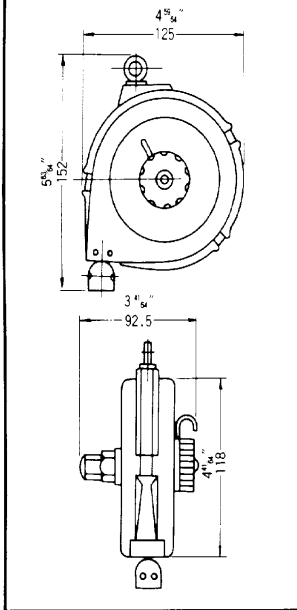
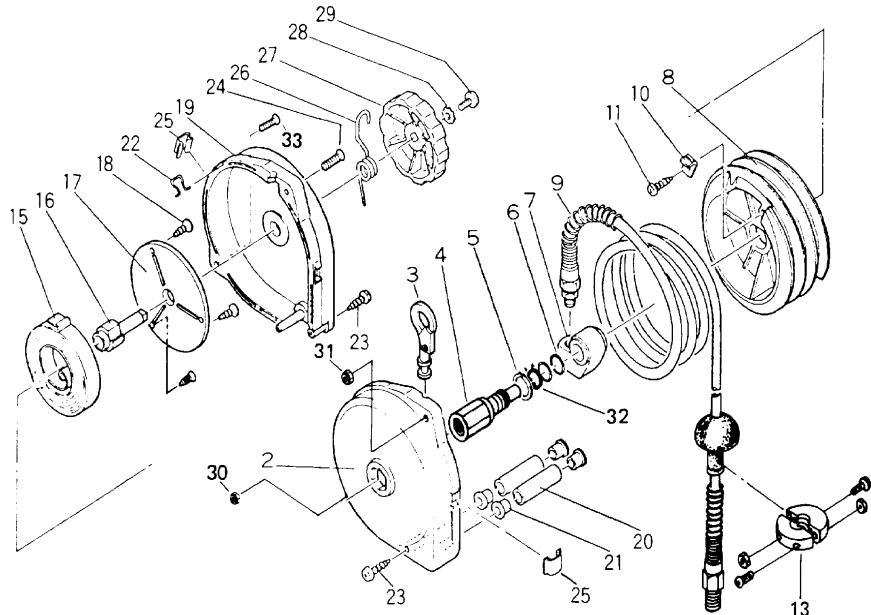


LINE REEL LR-09

DIMENSIONS



EXPLODED VIEW



PARTS LIST

Index No.	Code No.	Part Name	Quantity	Index No.	Code No.	Part Name	Quantity
# 2	861-102-1	Front Casing	1	# 19	861-116-1	Rear Casing	1
# 3	861-103-1	Suspension Ring	1	# 20	861-117-1	Guide Roller	2
# 4	861-132-1	Rotary Shaft	1	# 21	861-118-1	Guide Roller Bushing	4
# 5	979-115-0	Outer Snap Ring (18)	1	# 22	861-119-1	Auxiliary Suspension Bail	1
# 6	990-008-0	O Ring (P-10)	2	# 23	963-270-0	Tapping Screw (2 x M3 x 30)	2
# 7	861-105-1	Hose Joint	1	# 24	957-453-0	Oval Flush Head Screw (M4 x 16)	1
# 8	861-106-1	Balancing Wheel	1	# 25	861-122-1	Fastener	2
# 9	861-130-1	Air Hose Assembly (2000 mm)	1	# 26	861-123-1	Locking Spring	1
# 10	861-108-1	Hose Holder	1	# 27	861-124-1	Adjusting Dial	1
# 11	963-260-0	Tapping Screw (1-M3 x 14)	1	# 28	962-505-0	Notched Spacer (5S)	1
# 13	861-111-1	Stopper (with setting screws and nuts)	1	# 29	957-222-0	Cross Pan Head Screw (M5 x 12)	1
# 15	861-112-1	Spring for LR-09B	1	# 30	960-802-0	U-Nut (M3)	1
# 16	861-113-1	Spring Shaft	1	# 31	960-803-0	U-Nut (M4)	1
# 17	861-114-1	Wheel Cover	1	# 32	861-125-1	Packing	1
# 18	963-260-0	Tapping Screw (1-M3 x 14)	3	# 33	957-445-0	Oval Flush Head Screw (M3 x 16)	1

IMPORTANT!!

- (1) Make sure that the LINE REEL is firmly and properly suspended. Auxiliary suspension is required for additional safety.
- (2) Do not suspend the tool of more than 1.4 kg (3.08 lb) in total weight.
- (3) Adjust the spring tension by the external load adjusting dial to balance the tool properly.
- (4) Adjust the stroke of the air hose for most convenient positioning of the tool. Slide the stopper up or down after loosening the locking screws and lock it at the required position.
- (5) Every three (3) month regular check on the following points is required for safe operation.
 1. Condition of suspension bail, wire and all other parts for suspension. If faulty, worn, damaged or improperly conditioned, replace or fix them.
 2. Make sure that no fastener is loosen.
 3. If some abnormal noise is observed in use, disassemble the balancer and fix it.
 4. Make sure that the air hose and fitting are perfect in condition.

Distributed by:

Printed in Japan

URYU SEISAKU, LTD.

Claims must be filed only with distributors within ten (10) days from delivery.