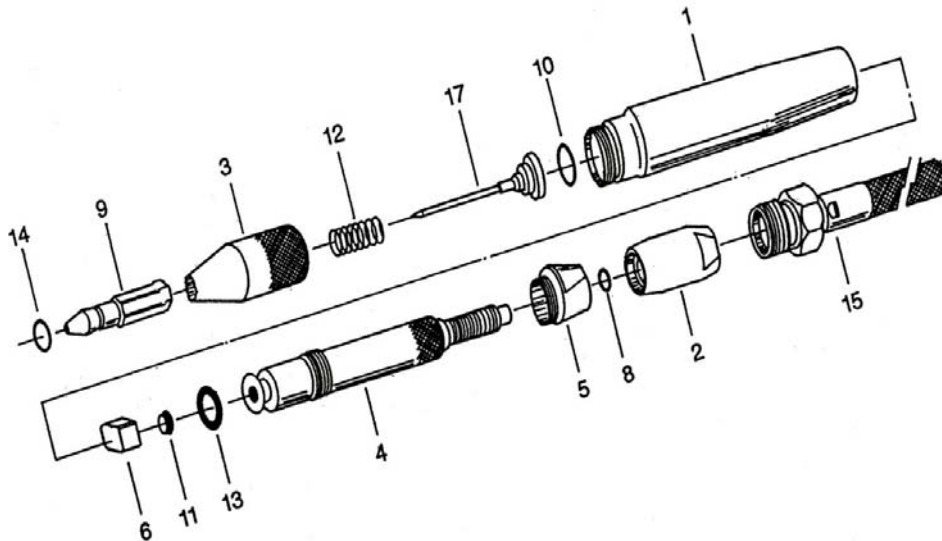




ES940

GRAVING PEN DRILL

Wespro Pneumatic Tools



<u>No.</u>	<u>Description</u>	<u>Order Code</u>	<u>Qty</u>
1	Body	196577	1
2	Hose Adjustment Nut	107770	1
3	Front Part	94954	1
3A	Front Part Assembly (Part #3 & #9)	190754	1
4	Throttle Valve	134326	1
5	Ring Nut	109957	1
6	Valve Seat	84796	1
8	O-Ring	84797	1
9	Bushing	85874	1
10	O-Ring	84798	1
11	Seal	84799	1
12	Spring	84800	1
13	O-Ring	84801	1
14	O-Ring	84802	1
15	Air Hose Assembly	132814	1
17	Stylus Medium	84805	1
	Stylus sharp (Optional)	84803	1
	Stylus Blunt (Optional)	84804	1

es940 09/04