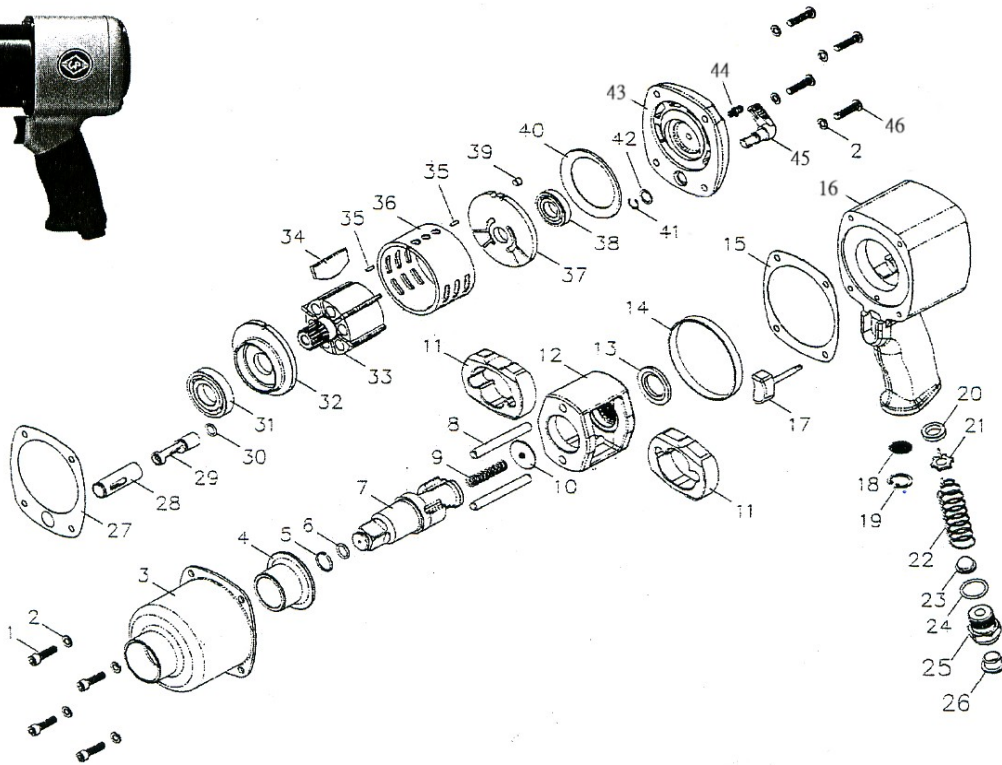




W750BSHD & W750BSHD-6 3/4" IMPACT WRENCH

Wespro Pneumatic Tools



<u>No.</u>	<u>Description</u>	<u>Order Code</u>	<u>Qty</u>	<u>No.</u>	<u>Description</u>	<u>Order Code</u>	<u>Qty</u>
1	Socket Cap Screw	166891	4	24	O-Ring	190313	1
2	Spring Washer	187912	8	25	Air Inlet	190314	1
3	Hammer Case	190303	1	26	Dust Cover	190315	1
4	Hammer Case Bushing	190304	1	27	End Cap Gasket	176742	1
5	Socket Retainer	174938	1	28	Valve Sleeve	190316	1
6	O-Ring	174937	1	29	Reverse Valve	190317	1
7A	Anvil Assembly Standard	176737	1	30	O-Ring	190318	1
7B	Anvil assembly 6" Extended	169119	1	31	Ball Bearing	146933	1
8	Hammer Pin	190306	2	32	Front End Plate	176743	1
9	Spring	176738	1	33	Rotor	190319	1
10	Spring Base	190307	1	34	Rotor Blade	176744	6
11	Hammer	190145	2	35	Pin	190320	2
12	Hammer Frame	190308	1	36	Cylinder	188915	1
13	Hammer Washer	188916	1	37	Rear End Plate	176745	1
14	Hammer Case Pilot	190309	1	38	Ball Bearing	112670	1
15	Front Gasket	176739	1	39	Locking Pin	190321	1
16	Motor Housing	190310	1	40	Disc Spring	190322	1
17	Trigger	176750	1	41	Retainer Ring	176746	1
18	Muffler Cover	190311	1	42	Washer	176747	1
19	Retainer Ring	190312	1	43	End Cap	190324	1
20	Throttle Bushing	176740	1	44	Grease Fitting	190325	1
21	Valve Stem	176741	1	45	Reverse Lever	176748	1
22	Throttle Valve Spring	181626	1	46	Cap Screw	187915	4
23	Air Inlet Screen	181631	1				