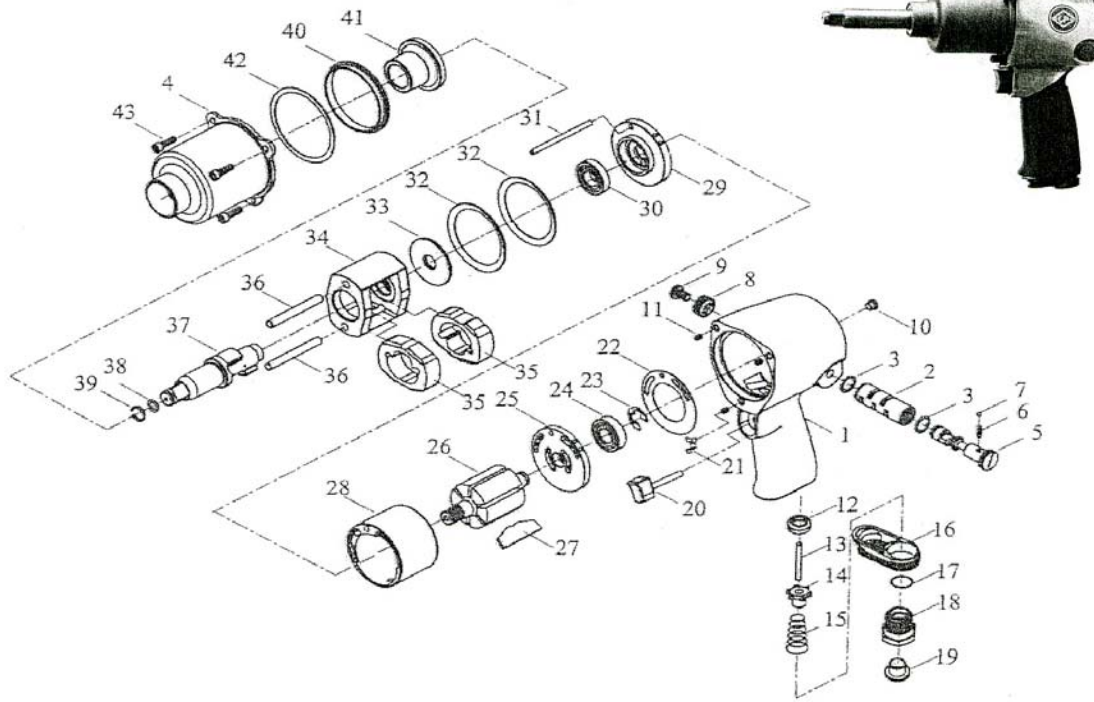




W501BHG & W501BHG-2 1/2" IMPACT WRENCH

Wespro Pneumatic Tools



* 18A, Air Strainer Assembly, including parts #17, 18, 19.

<u>No.</u>	<u>Description</u>	<u>Order Code</u>	<u>Qty</u>	<u>No.</u>	<u>Description</u>	<u>Order Code</u>	<u>Qty</u>
1	Motor Housing	148558	1	23	E-Ring	147416	1
2	Reverse Valve bushing	147405	1	24	Ball Bearing	112029	1
3	O-Ring	147406	2	25	Rear End Plate	145715	1
4	Hammer Case	147392	1	26	Rotor	146425	1
5	Reverse Valve	147407	1	27	Rotor Blade	147031	6
6	Spring	147409	1	28	Cylinder	147413	1
7	Steel Ball	147408	1	29	Front End Plate	65622	1
8	Reverse Valve Knob	65621	1	30	Ball Bearing	112673	1
9	Screw	147410	1	31	Cylinder Pin	147412	1
10	Grease Fitting	147396	1	32	Washer Motor Clamp	147395	2
11	Insert self Tap	147394	3	33	Washer Hammer frame Rear	143317	1
12	Throttle Bushing	148545	1	34	Hammer frame	65623	1
13	Valve Pin	148550	1	35	Hammer	146426	2
14	Valve Stem	148554	1	36	Hammer Pin	65624	2
15	Spring	148555	1	37A	Anvil assembly Standard	143186	1
16	Muffler Cover	185187	1	37B	Anvil assembly 2" Extended	143187	1
17	O-Ring	185188	1	37C	Anvil assembly Pin Type	172564	1
18	Hose Fitting	167803	1	38	O-Ring	143188	1
18A	Air Strainer Assembly	187425	1	39	Socket retainer	145721	1
19	Dust Cover	167804	1	40	Hammer Case Pilot	147391	1
20	Trigger	118329	1	41	Hammer Case Bushing	143185	1
21	Trigger Stop	148544	1	42	Hammer Case gasket	65620	1
22	Rear End Plate Gasket	147036	1	43	Hammer Case Cap Screw	147393	3