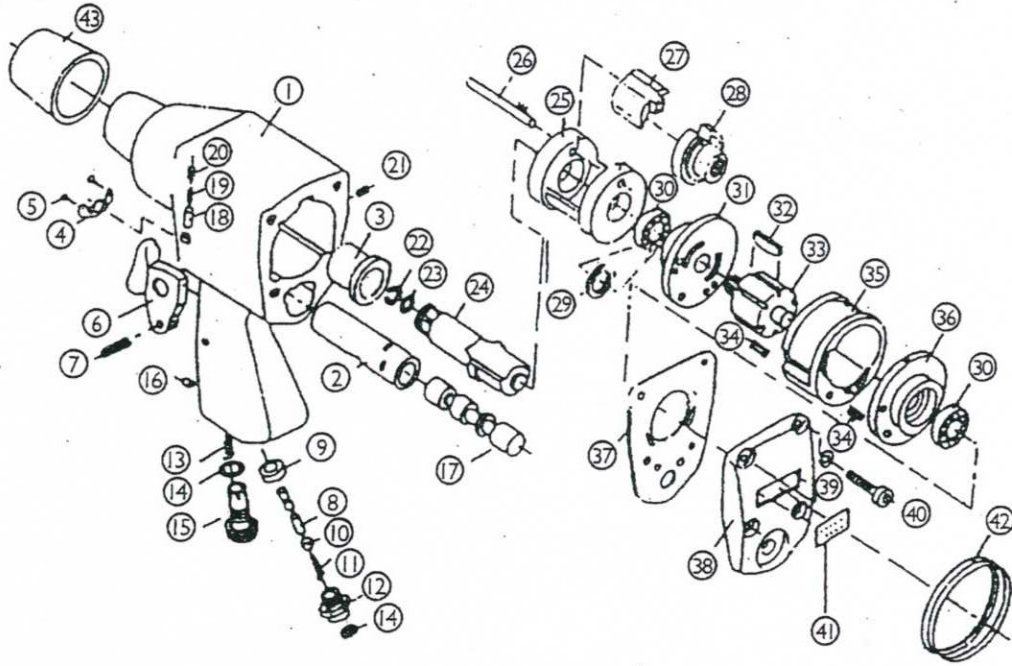




W500RD 1/2" Impact Wrench February 25, 2002

Wespro Pneumatic Tools Parts and Exploded View



PARTS No.	DESCRIPTION
301001	Housing
301002	Valve Sleeve
301003	Anvil Bushing
301004	Exhaust Oeflector
301005	Tapping Screw (2)
301006	Trigger
301007	Spring Pin
301008	Valve Stem
301009	Bushing
301010	Steel Ball
301011	Spring
301012	Hose Adapter
301013	Spring
301014	O Ring
301015	Air Regulator
301016	Set Screw
301017	Reverse Valve
301018	Pin
301019	Spring
301020	Set Screw
301021	Set Screw
301022	Anvil Collar

PARTS No.	DESCRIPTION
301023	O Ring
301024	Anvil (1/2" Sq.)
301025	Hammer Cage
301026	Hammer Pin
301027	Hammer Dog
301028	Drive Cam
301029	Oil Seal
301030	Ball Bearing (2)
301031	Front End Plate
301032	Rotor Blade (6)
301033	Rotor
301034	Spring Pin
301035	Cylinder
301036	Rear End Plate
301037	Rear Gasket
301038	Rear Cover
301039	Spring Washer (4)
301040	Cap Screw (4)
301041	Name Plate
301042	Rubber
301043	Protecting Rubber
301044	Stell Ball