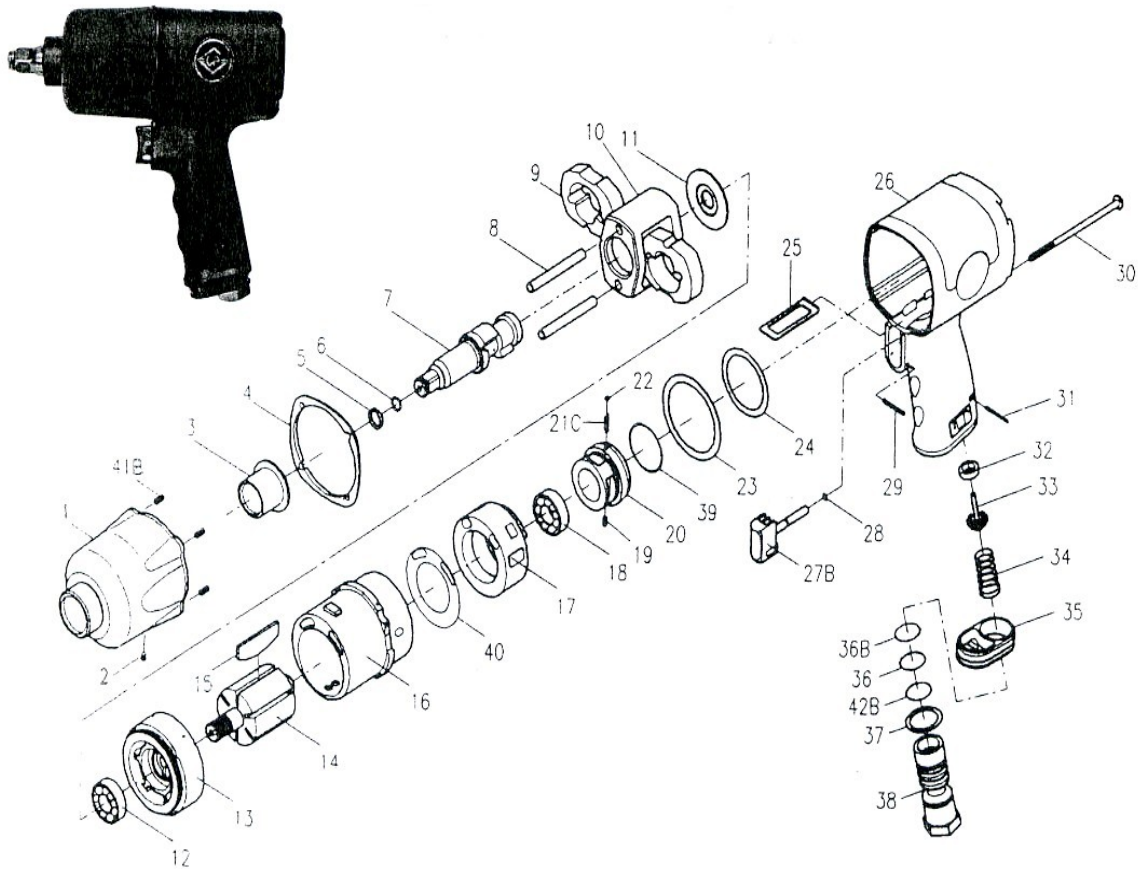




W500COM & W500-2COM 1/2" COMPOSITE IMPACT WRENCH

Wespro Pneumatic Tools



<u>No.</u>	<u>Description</u>	<u>Order Code</u>	<u>Qty</u>	<u>No.</u>	<u>Description</u>	<u>Order Code</u>	<u>Qty</u>
1	Hammer Case	WP 305F-002B	1	22	Steel Ball	WP 00-3805	1
2	Grease Fitting	WP 00-4603	1	23	Rear Gasket	WP 305F-030	1
3	Anvil Bushing	WP 305-010B-C	1	24	Washer	WP 305F-031	1
4	Front Gasket	WP 305F-020	1	25	Air Channel Gasket	WP 305F-019	1
5	Anvil Collar	WP 250-033	1	26	Motor Housing	WP 305F-001	1
6	O-Ring	WP 00-4103	1	27B	Trigger	WP 305F-024-B	1
7	Anvil Standard	WP 305-011NA4	1	28	O-Ring	WP 00-4101	1
	Anvil 2" Extended	WP 305-011NB4	1	29	Spring Pin	WP 00-3326	1
8	Hammer Pin	WP 305-016	2	30	Screw	WP 305F-028	4
9	Hammer	WP 305-017-B	2	31	Spring Pin	WP 00-3308	1
10	Hammer Cage	WP 305-012	1	32	Bushing	WP 306-027-B	1
11	Rear Washer	WP 305-020-B	1	33	Valve Stem	WP 306-026	1
12	Ball Bearing	WP 00-2317	1	34	Spring	WP 305F-026	1
13	Front End Plate	WP 305F-005	1	35	Exhaust Deflector	WP 306-030	1
14	Rotor	WP 305F-007	1	36	O-Ring	WP 00-4143	1
15	Rotor Blade	WP 301-008	6	36B	O-Ring	WP 00-4126	1
16	Cylinder	WP 305F-006	1	37	Washer	WP 305F-032	1
17	Valve Sleeve	WP 305F-029	1	38	Air Inlet 1/4" NPT		1
18	Ball Bearing	WP 00-2305	1	39	O-Ring	WP 00-4174	1
19	Spring Pin	WP 00-3345	1	40	Valve Sleeve Gasket	WP 305F-033	1
20	Reverse Valve	WP 305F-021	1	41B	Insert Recoil	WP 00-4301	4
21C	Spring	WP 305F-034	1	42B	O-Ring	WP 00-4127	1