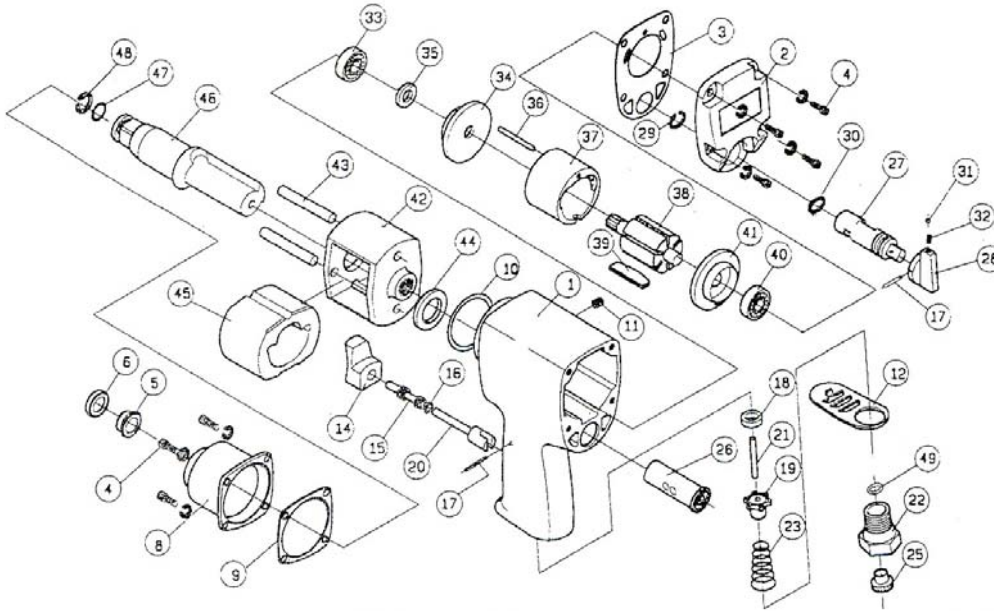




W375XHD

3/8" SQ. DRIVE IMPACT WRENCH

Wespro Pneumatic Tools



<u>No.</u>	<u>Description</u>	<u>Order Code</u>	<u>Qty</u>	<u>No.</u>	<u>Description</u>	<u>Order Code</u>	<u>Qty</u>
1	Motor Housing	188447	1	27	Reverse Valve	188517	1
2	End Cap	190092	1	28	Lever Reverse	188518	1
3	End Cap Gasket	188448	1	29	E-Ring	188519	1
4	Screw + Washer	189968	4	30	O-Ring	188520	1
5	Anvil Bushing	188338	1	31	Steel Ball	147408	1
6	Oil Seal	188449	1	32	Spring	188521	1
7	Hammer Case	188450	1	33	Ball Bearing	112028	1
8	Screw + Washer	189969	4	34	Front End Plate	188522	1
9	Hammer Case Gasket	188451	1	35	Oil Seal	188523	1
10	O-Ring	189970	1	36	Cylinder Pin	190095	1
11	Oil Plug	190093	1	37	Cylinder	188524	1
12	Muffler Cover	185187	1	38	Rotor	188525	1
14	Trigger	188452	1	39	Rotor Blade	188526	6
15	Trigger Base	188453	1	40	Ball Bearing	112933	1
16	O-Ring	188454	1	41	Rear End Plate	188527	1
17	Pin	189971	2	42	Hammer Cage	188528	1
18	Throttle Bushing	188510	1	43	Hammer Pin	188529	2
19	Valve Stem	188511	1	44	Hammer Washer	188530	1
20	Throttle Pin	188512	1	45	Hammer	188531	1
21	Valve Pin	188513	1	46	Anvil	188339	1
22	Hose Fitting	188514	1	47	O-Ring	188532	1
23	Spring	188515	1	48	Socket Retainer	188533	1
25	Dust Cover	167804	1	49	O-Ring	188534	1
26	Valve Sleeve	188516	1	46A	Anvil Assembly (parts #46, 47, 48)	189963	1