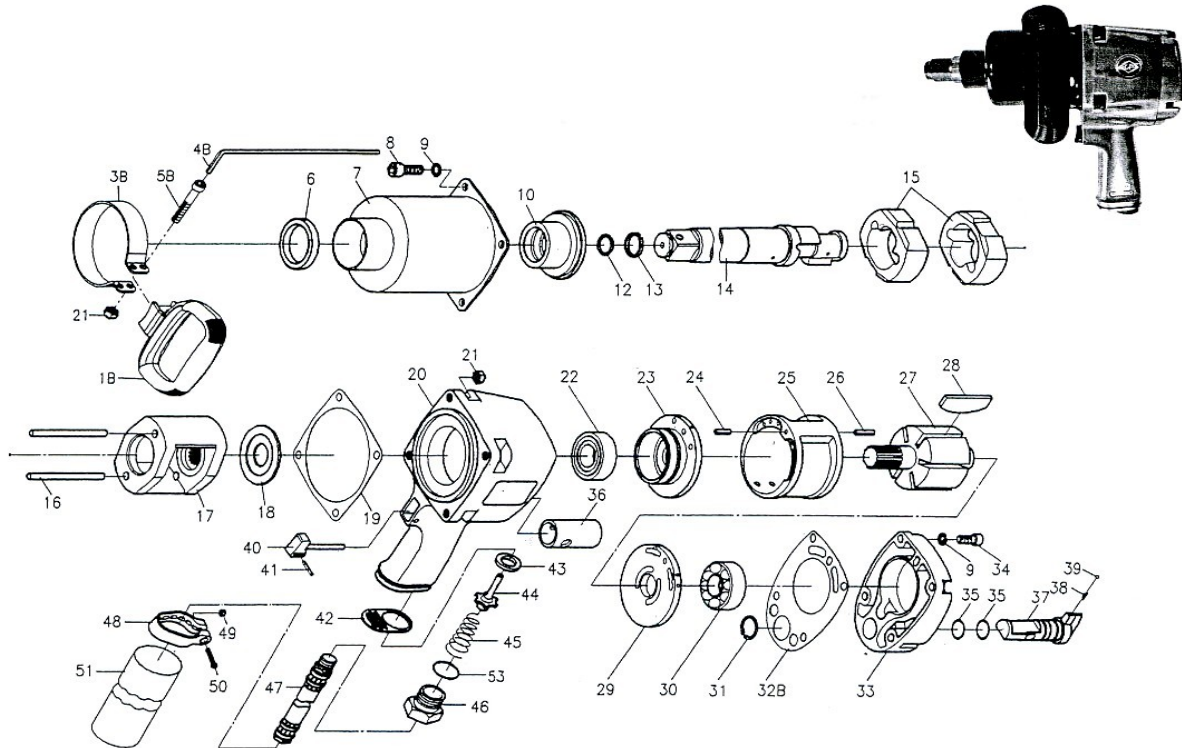




W1000PRD

1" IMPACT WRENCH

Wespro Pneumatic Tools



No.	Description	Order Code	Qty	No.	Description	Order Code	Qty
1B	Handle	WP 315-019B	1	28	Rotor Blade	WP 328-008	6
3B	Clamper	WP 315-020B	1	29	Rear End Plate	WP 315-009	1
4B	Allen Wrench	WP 00-3909	1	30	Ball Bearing	WP 00-2319	1
5B	Cap Screw	WP 00-0109	1	31	Snap Ring	WP 00-4801	1
6	Oil Seal	WP 00-4218	1	32B	Rear Gasket	WP 316-021-B	1
7	Hammer Case	WP 315-002A	1	33	Rear Cover	WP 316-003	1
8	Cap Screw	WP 00-0118	4	34	Cap Screw	WP 00-0120	4
9	Spring Washer	WP 00-1804	8	35	O-Ring	WP 00-4155	2
10	Anvil Bushing	WP 315-010-B	1	36	Valve Sleeve	WP 316-019	1
12	O-Ring	WP 00-4124	1	37	Reverse Valve	WP 316-020	1
13	Anvil Collar	WP 310-038	1	38	Spring	WP 306-031	1
14	Anvil Standard	WP 315-011A8-B	1	39	Steel Ball	WP 00-3802	1
	Anvil 6" Extended	WP 315-011B8-B		40	Trigger	WP 314-025	1
15	Hammer	WP 315-017	2	41	Spring Pin	WP 00-3326	1
16	Hammer Pin	WP 315-016	2	42	Exhaust Deflector	WP 314-030	1
17	Hammer Cage	WP 315-012-B	1	43	Bushing	WP 314-027-B	1
18	Rear Washer	WP 328-019	1	44	Valve Stem	WP 314-026-B	1
19	Front Gasket	WP 310-033	1	45	Spring	WP 314-029	1
20	Motor Housing	WP 316-001	1	46	Air Inlet 1/2" NPT	WP 314-031C	1
21	Lock Nut	WP 00-2001	6	47	Lead Hose 1/2" NPT	WP 314-038C	1
22	Ball Bearing	WP 00-2301	1	48	Hose Clamper	WP 314-040	1
23	Front End Plate	WP 327-005	1	49	Hex. Nut	WP 00-1003	1
24	Spring Pin	WP 00-3311	1	50	Round Head Screw	WP 00-0309	1
25	Cylinder	WP 315-006	1	51	Exhaust Hose	WP 314-039	1
26	Spring Pin	WP 00-3337	1	53	O-Ring	WP 00-4134	1
27	Rotor	WP 314-007	1				