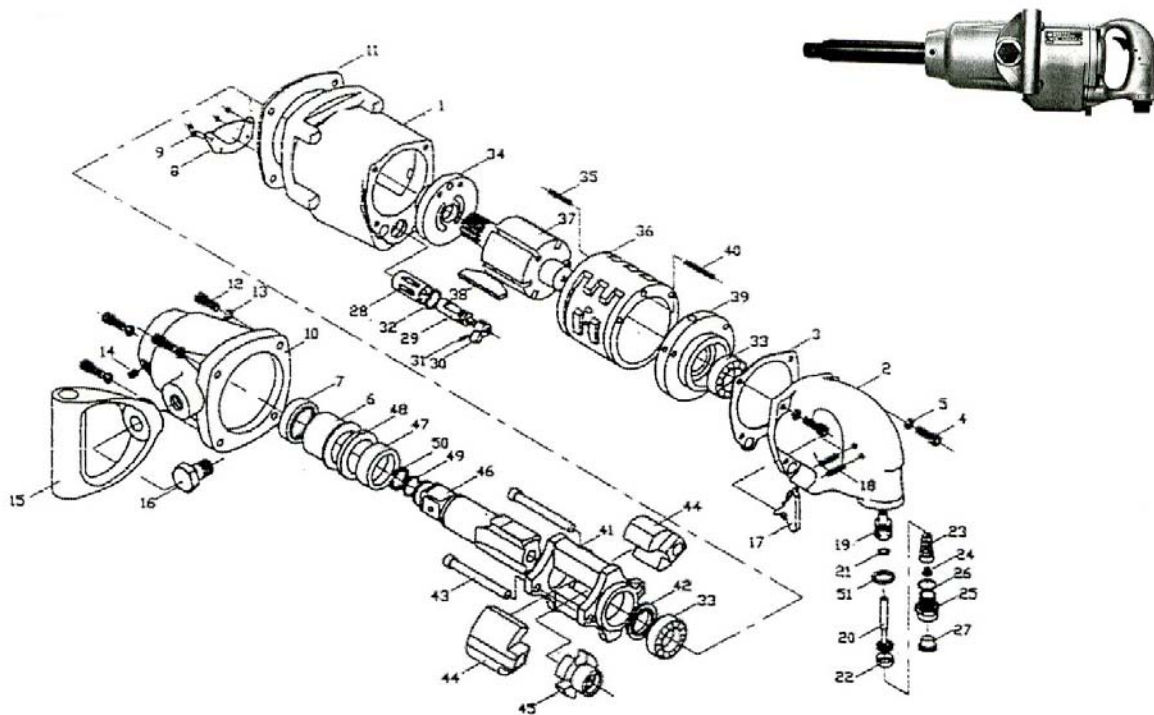




W1000CP & W1000-6CP

1" SQ. DRIVE IMPACT WRENCH

Wespro Pneumatic Tools



<u>No.</u>	<u>Description</u>	<u>Order Code</u>	<u>Qty</u>	<u>No.</u>	<u>Description</u>	<u>Order Code</u>	<u>Qty</u>
1	Motor Housing	140282	1	28	Valve Sleeve	190349	1
2	End Cap	190332	1	29	Reverse Valve	190350	1
3	End Cap Gasket	176751	1	30	Reverse Lever	176753	1
4	Screw	192711	4	31	Spring Pin	190351	1
5	Spring Washer	187912	4	32	O-Ring	190352	1
6	Hammer Case Bushing	190333	1	33	Ball Bearing	114454	2
7	Oil Seal	190334	1	34	Front End Plate	176754	1
8	Muffler Cover	190335	1	35	Spring Pin	190353	1
9	Screw	190336	4	36	Cylinder	190354	1
10	Clutch Housing	143069	1	37	Rotor	190355	1
11	Front Gasket	176752	1	38	Rotor Blade	162462	6
12	Screw	190337	4	39	Rear End Plate	176755	1
13	Spring Washer	190338	4	40	Spring Pin	190356	1
14	Oil Plug	192716	1	41	Hammer Cage	190357	1
15	Dead Handle	190339	1	42	Hammer Washer	190358	1
16	Screw	192724	1	43	Hammer Pin	177795	2
17	Trigger	190340	1	44	Hammer	190359	2
18	Spring Pin	190341	2	45	Drive Cam	190360	1
19	Throttle Bushing	190342	1	46	Anvil 1" SQ Drive, 2"	168941	1
20	Throttle Pin	190343	1	46-1	Anvil 1" SQ Drive, 4" Extended	168397	1
21	O-Ring	177861	1	46-2	Anvil 1" SQ Drive, 6" Extended	161915	1
22	Retainer	177862	1	47	Flange Bushing	192725	1
23	Spring	190344	1	48	Anvil Washer	192726	1
24	Screen	190345	1	49	O-Ring	192727	1
25	Hose Fitting	190346	1	50	Socket Retainer	176756	1
26	O-Ring	190347	1	51	O-Ring	104797	1
27	Dust Cover	190348	1				