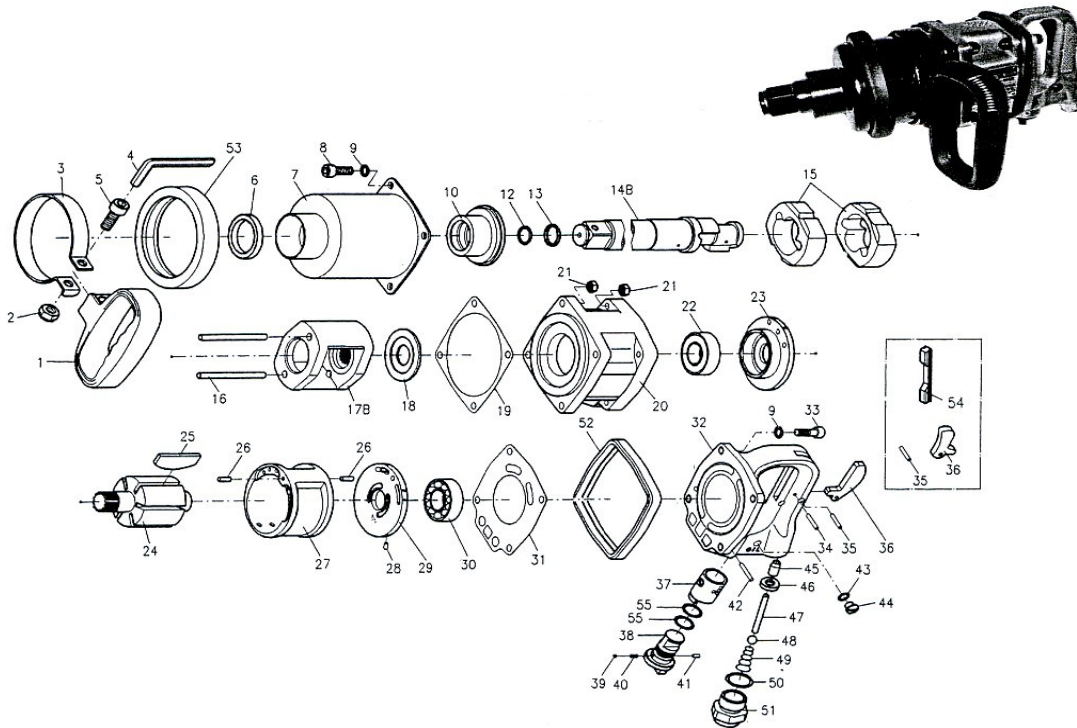




W1000BHDRH

1" IMPACT WRENCH

Wespro Pneumatic Tools



<u>No.</u>	<u>Description</u>	<u>Order Code</u>	<u>Qty</u>	<u>No.</u>	<u>Description</u>	<u>Order Code</u>	<u>Qty</u>
1	Handle	WP 315-019	1	28	Spring Pin	WP 00-3314	1
2	Lock Nut	WP 00-1208	1	29	Rear End Plate	WP 315-009	1
3	Clamper	WP 315-020	1	30	Ball Bearing	WP 00-2319	1
4	Allen Wrench	WP 00-3908	1	31	Rear Gasket	WP 328-022	1
5	Cap Screw	WP 00-0111	1	32B	Handle Frame	WP 315-004	1
6	Oil Seal	WP 00-4218	1	33	Cap Screw	WP 00-0103	4
7	Hammer Case	WP 315-002A	1	34	Spring Pin	WP 00-3305	1
8	Cap Screw	WP 00-0118	4	35	Pin	WP 00-3401	1
9	Spring Washer	WP 00-1804	8	36	Trigger (Inner)	WP 328-024	1
10	Anvil Bushing	WP 315-010-B	1	37	Reverse Valve Bushing	WP 328-020	1
12	O-Ring	WP 00-4124	1	38	Regulator	WP 315-021	1
13	Anvil Collar	WP 310-038	1	39	Steel Ball	WP 00-3802	1
14B	Anvil Standard	WP 315-011A8	1	40	Spring	WP 322-023	1
	Anvil 6" Extended	WP 315-011B8-B		41	Spring Pin	WP 00-3307	1
	Anvil #5 Spline 6" Extended			42	Spring Pin	WP 00-3322	1
15	Hammer	WP 315-017	2	43	O-Ring	WP 00-4123	1
16	Hammer Pin	WP 315-016	2	44	Oil Chamber Screw	WP 310-031	1
17B	Hammer Cage	WP 315-012-B	1	45	Valve Bushing	WP 310-026	1
18	Rear Washer	WP 328-019	1	46	Bushing	WP 310-039	1
19	Front Gasket	WP 310-033	1	47	Valve Stem	WP 322-026	1
20	Motor Housing	WP 328H-001	1	48	Steel Ball	WP 00-3804	1
21	Lock Nut	WP 00-2001	8	49	Spring	WP 322-027	1
22	Ball Bearing	WP 00-2341	1	50	O-Ring	WP 00-4130	1
23	Front End Plate	WP 328-005	1	51	Air Inlet 1/2" NPT	WP 322-028C	1
24	Rotor	WP 315-007	1	52	Housing Band	WP 322-031	1
25	Rotor Blade	WP 328-008	6	53	Front Rubber	WP 315-029	1
26	Spring Pin	WP 00-3311	2	54	Rubber Protector	WP 328-025	1
27	Cylinder	WP 315-006	1	55	O-Ring	WP 00-4155	2