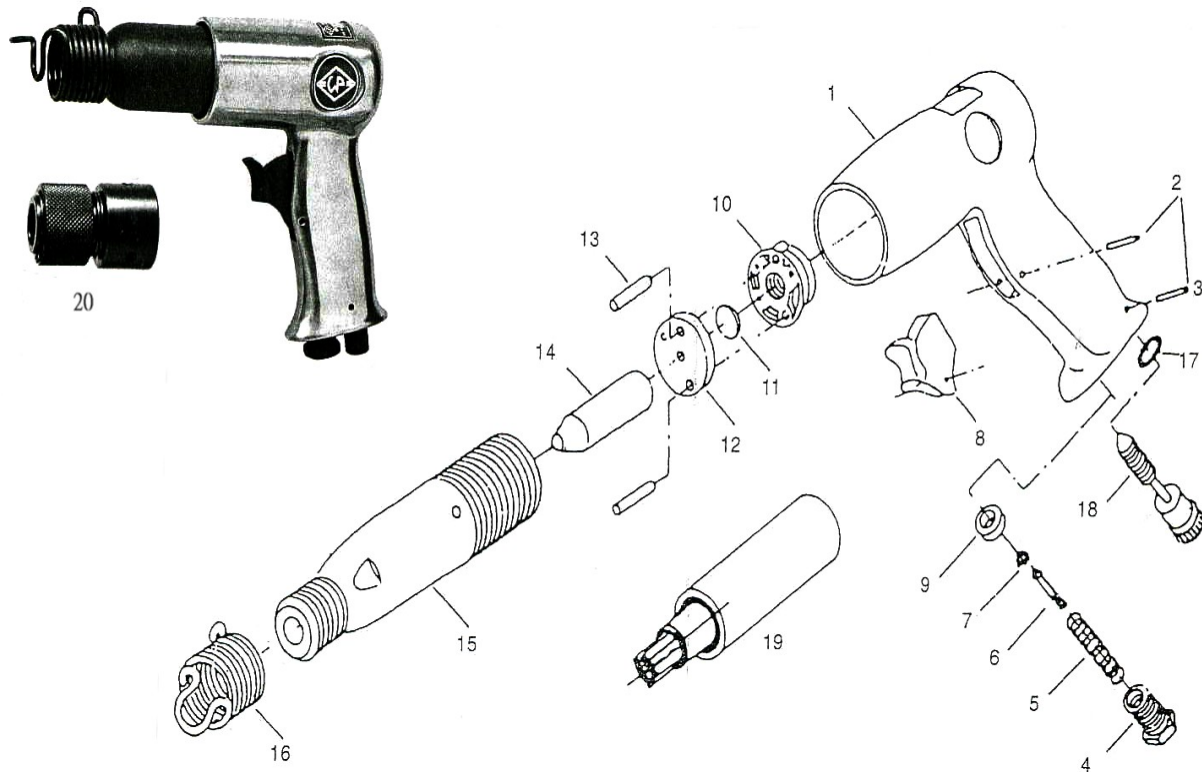




# H2625 AIR HAMMER

## Wespro Pneumatic Tools



<u>No.</u>	<u>Description</u>	<u>Order Code</u>	<u>Qty</u>	<u>No.</u>	<u>Description</u>	<u>Order Code</u>	<u>Qty</u>
1	Handle	105595	1	10A	Valve Assembly	139961	1
1A	Handle Assembly	133288	1	11	Valve Disc	105588	1
2	Pin (Trigger)	105601	1	12	Lower Valve Case	105589	1
3	Pin (Regulator)	105602	1	13	Valve Pin	105592	2
4	Hose Adaptor	105581	1	14	Piston (2.5/8" Stroke)	105590	1
5	Throttle Spring	105582	1	15	Cylinder	105593	1
6	Valve Stem	105583	1	16	Quick Change Retainer	96443	1
7	O-Ring	105584	1	17	O-Ring	105597	1
8	Trigger	105585	1	18	Regulator	105598	1
9	Steel Ball Seat	105586	1	19	Needle Scaler Attach.(Optional)	105600	1
10	Upper Valve Case	105587	1	20	QC401 (Optional)	135091	1