



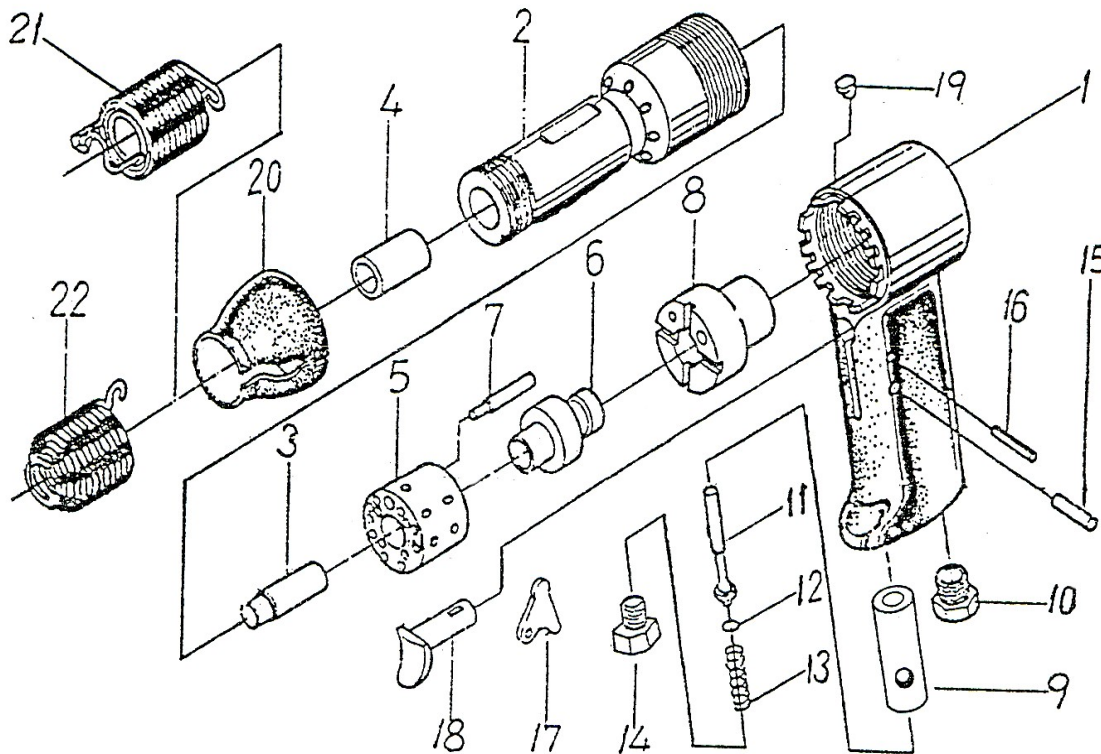
615 (5X), 617 (7X) & 619 (9X)

AIR RIVETING HAMMERS

Wespro Pneumatic Tools



QC Spring Retainer 615021 Code: 88578
 Beehive Retainer 615022 Code: 88579



No.	Description	Order Code	Qty	No.	Description	Order Code	Qty
1	Bare Handle c/w Bushing	103669	1	9	Throttle Bushing	103674	1
1A	Handle Assembly (#1, 9 ~ 18)	103666	1	10	Inlet Bushing	88565	1
2	Cylinder (615)	103681	1	11	Valve Stem	88572	1
	Cylinder (617)	105212	1	12	O-Ring	88573	1
	Cylinder (619)	105213	1	13	Spring	88568	1
3	Piston (615)	101920	1	14	Plug	103676	1
	Piston (617)	105210	1	15	Roll Pin	103677	1
	Piston (619)	105211	1	16	Spring Pin	105019	1
4	Bushing	88571	1	17	Assistant Lever	103679	1
5	Valve Box	103670	1	18	Lever	103680	1
	Valve Box Assembly (#5 ~ 8)	103668	1	19	Stopper Pin	88575	1
6	Valve	103671	1	20	Exhaust Cover	88577	1
7	Pin	103672	1	21	QC Spring Retainer	88578	1
8	Valve Seat	103673	1	22	Beehive Retainer	88579	1