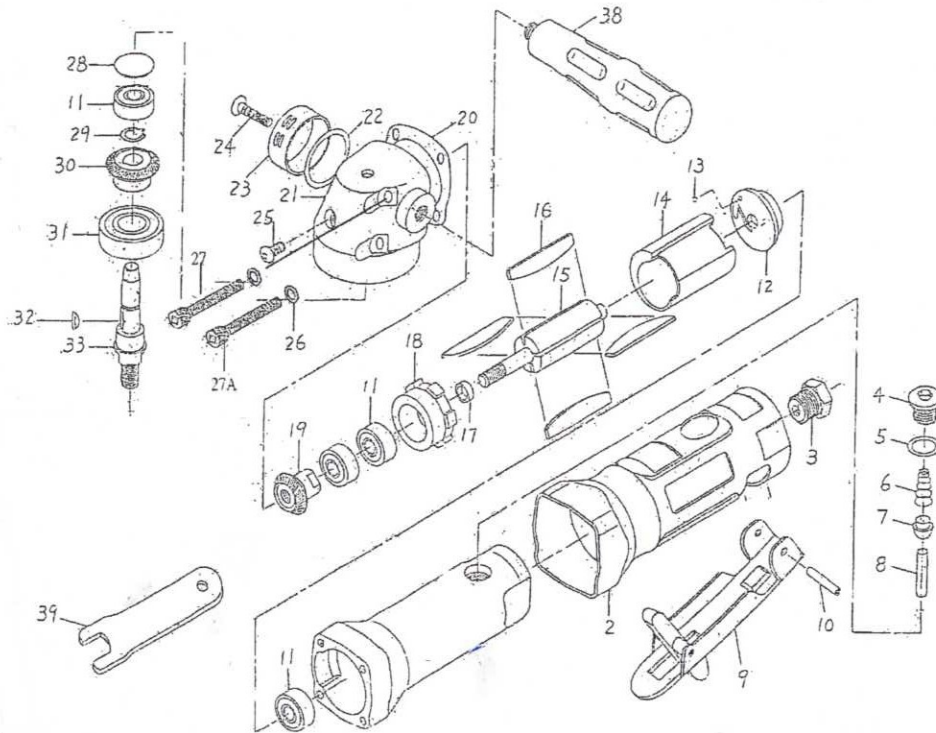




S510AGS INSUL GRIP SANDER

Wespro Pneumatic Tools



<u>No.</u>	<u>Description</u>	<u>Order Code</u>	<u>Qty</u>	<u>No.</u>	<u>Description</u>	<u>Order Code</u>	<u>Qty</u>
1	Housing	188938	1	19	Bevel Gear	188959	1
2	Protecting Rubber	188941	1	20	Packing	188960	1
3	Air Inlet	188942	1	21	Angle Housing	188961	1
4	Screw	188943	1	22	O-Ring	188962	1
5	O-Ring	188944	1	23	Exhaust Sleeve	188963	1
6	Spring	188945	1	24	Screw	188964	1
7	Valve Bushing	188946	1	25	Screw	188965	1
8	Valve Stem	188947	1	26	Lock Washer	186882	4
9	Lever	188948	1	27	Screw	109913	2
10	Pin	188949	1	27A	Screw	188966	2
11	Ball Bearing	112040	4	28	Spacer	188967	1
12	Rear End Plate	188950	1	29	Retaining Ring	188968	1
13	Steel Ball	188951	1	30	Bevel Gear	188969	1
14	Cylinder	188953	1	31	Ball Bearing	112047	1
15	Rotor	188954	1	32	Key	188970	1
16	Rotor Blade	188956	4	33	Spindle	188972	1
17	Spacer	188957	1	38	Handle	188976	1
18	Front End Plate	188958	1	39	Spanner	166515	1