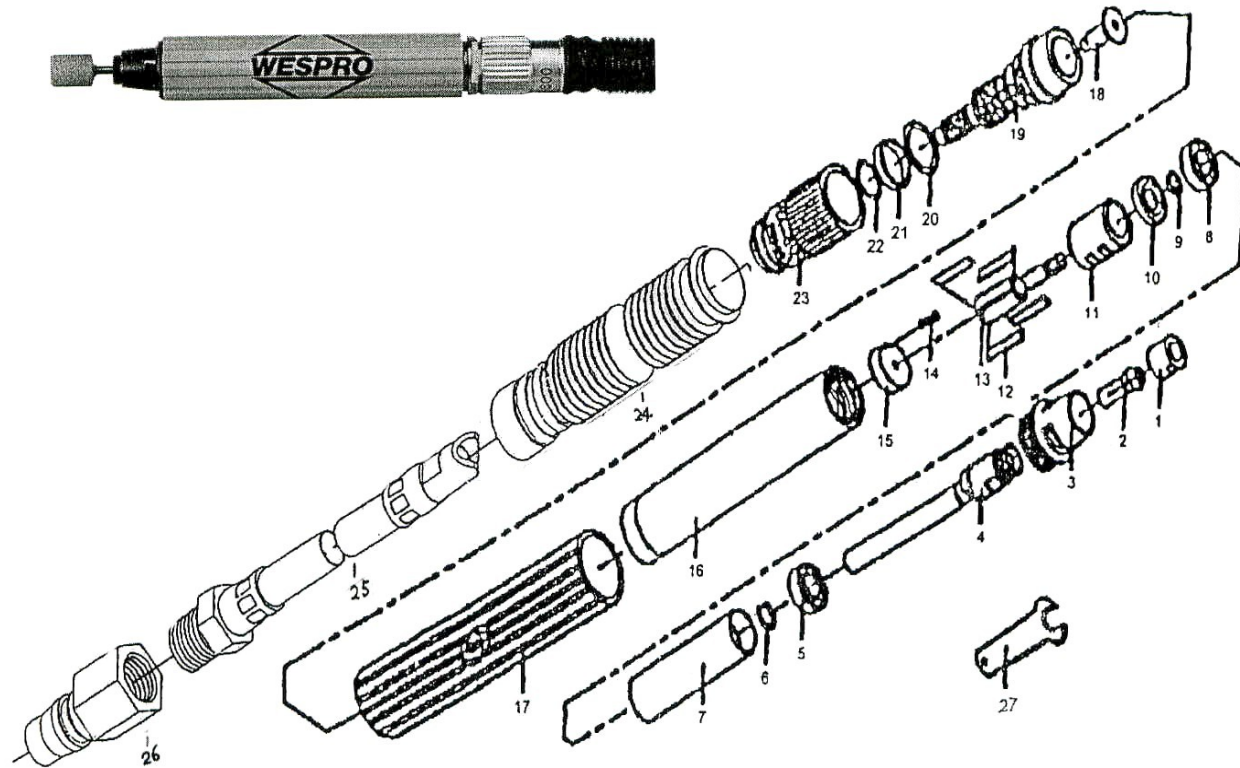




GP380 MICRO DIE GRINDER

Wespro Pneumatic Tools



*** Exhaust & Air Hose Assembly, order code 129988
(Including parts 24, 25)**

No.	Description	Order Code	Qty	No.	Description	Order Code	Qty
1	Collet Cover	149103	1	15	Rear Washer	162549	1
2	Collet	148980	1	16	Body	179770	1
3	Front Cover	179766	1	17	Protecting Rubber	179771	1
4	Main Shaft	149104	1	18	Adapter	179772	1
5	Front Bearing	122983	1	19	Valve Body	122972	1
6	Snap Ring	179767	1	20	O-Ring	122973	1
7	Spacing Pipe	147797	1	21	Polyacetal Ring	122974	1
8	Rear Bearing	112052	1	22	O-Ring	122975	1
9	Washer	162546	1	23	Switch	122976	1
10	Front Washer	162547	1	24	Exhaust Hose	122978	1
11	Cylinder	179768	1	25	Air Hose Assembly	188823	1
12	Rotor Blade	122985	4	26	Air Hose Adaptor	122979	1
13	Rotor	162548	1	27	Spanner (8 MM)	122982	2
14	Spring Pin	179769	1				