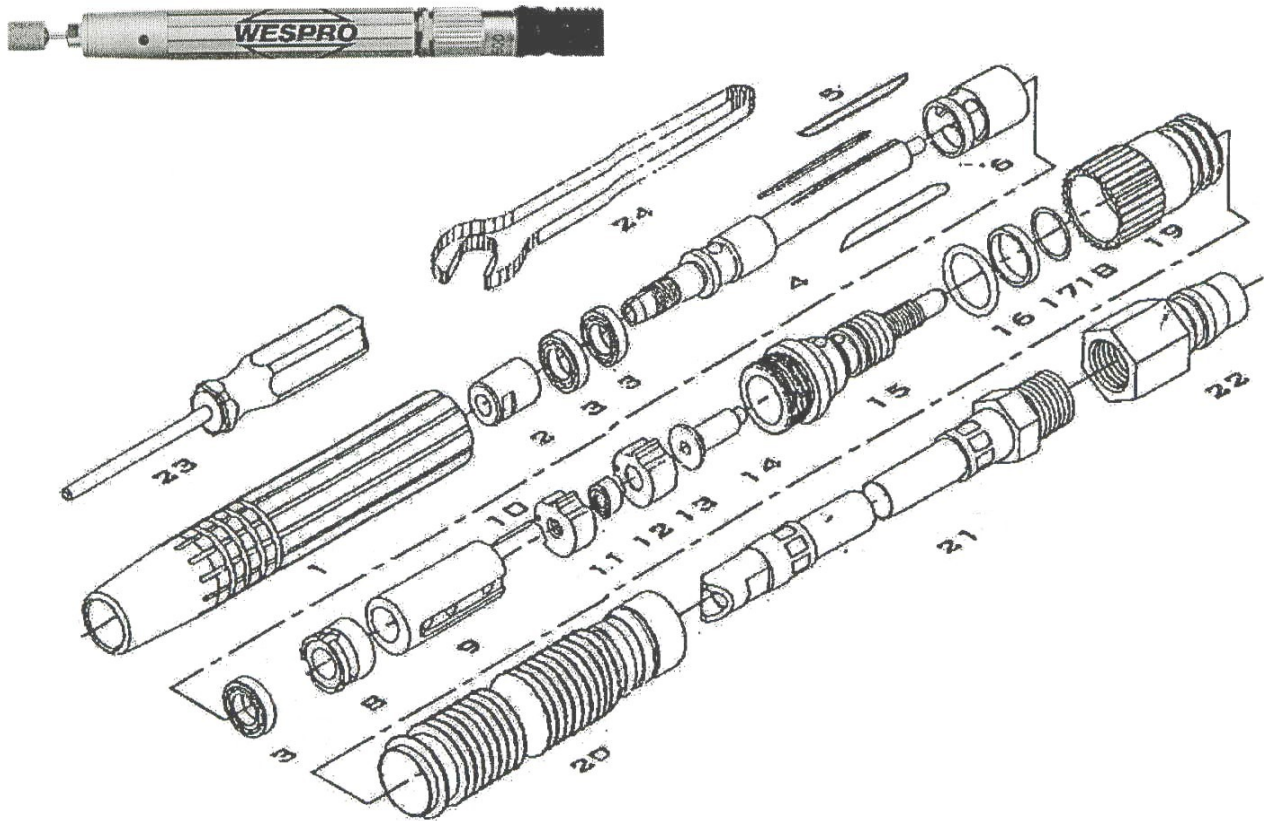




GP260 MICRO DIE GRINDER

Wespro Pneumatic Tools



* Exhaust & Air Hose Assembly, order code 129988
(Including parts 20, 21)

<u>No.</u>	<u>Description</u>	<u>Order Code</u>	<u>Qty</u>	<u>No.</u>	<u>Description</u>	<u>Order Code</u>	<u>Qty</u>
1	Body	148278	1	13	Rear Washer	122970	1
2	Collet Cover	122959	1	14	Adapter	122971	1
3	Front Bearing	122960	3	15	Valve Body	122972	1
4	Main Shaft (1/8")	122961	1	16	O-Ring	122973	1
4-1	Main Shaft (3/32")	148712	1	17	Polyacetal Ring	122974	1
4-2	Main Shaft (3 mm)	148470	1	18	O-Ring	122975	1
5	Rotor Blade	122962	3	19	Switch	122976	1
6	Spacing Pipe	122963	1	20	Exhaust Hose	122978	1
8	Front Washer	122965	1	21	Air Hose Assembly	188823	1
9	Cylinder	122966	1	22	Air Hose Adapter	122979	1
10	Fixed Pin	122967	1	23	Fixed Pin	177106	1
11	Rear Bearing Washer	122968	1	24	Spanner	122982	1
12	Rear Bearing	112058	1				