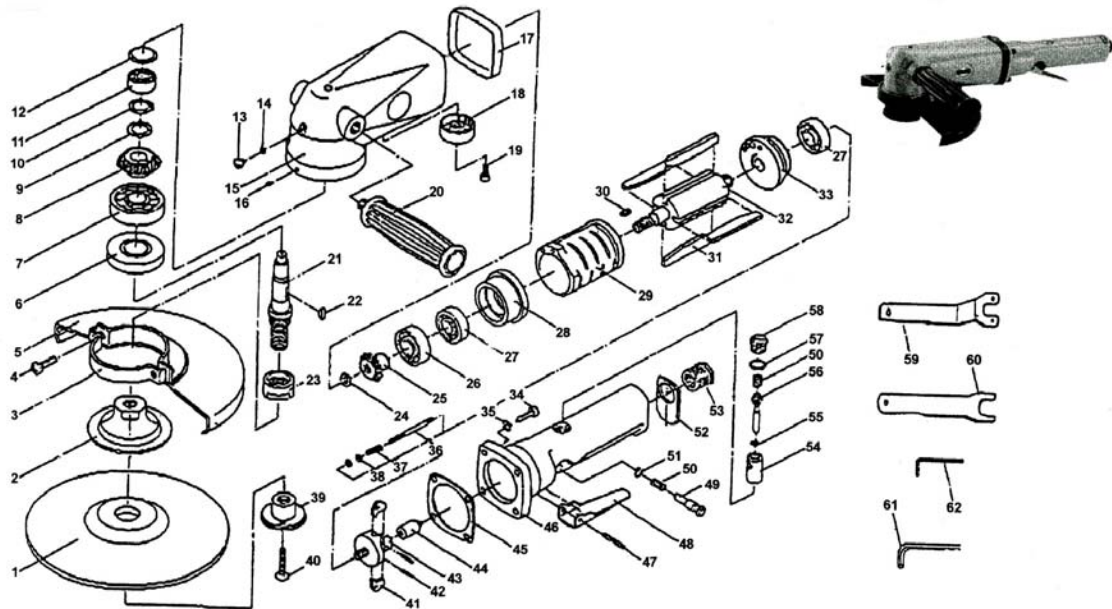




G770A

7" GOVERNED SANDER / GRINDER

Wespro Pneumatic Tools



<u>No.</u>	<u>Description</u>	<u>Order Code</u>	<u>Qty</u>	<u>No.</u>	<u>Description</u>	<u>Order Code</u>	<u>Qty</u>
1	Grinding Wheel	See Wespro cat.	1	32	Rotor	105014	1
2	Flange	105029	1	33	Rear End Plate	105018	1
3	Clamp Plate	113627	1	34	Bolt	10730	4
4	Screw	105035	2	35	Spring Washer	105025	4
5	Center Wheel Guard Assembly	105033	1	36	Adjust Screw	WP DG-70022	1
6	Arbor Bearing Cup	105013	1	37	Spring	102020	2
7	Ball Bearing	112951	1	38	Nut	105021	1
8	Bevel Gear	105009	1	39	Flange Nut	105030	1
9	Wave Stop Ring	105010	1	40	Flange Stop Screw	105031	1
10	External Stop Ring	105012	1	41	Pendulum	WP DG-70019	8
11	Ball Bearing	114814	1	42	Spring Pin	105019	2
12	Seal Plate	105005	1	43	Governor	WP DG-70018	1
13	Plug	81740	1	44	Plunger	WP DG-70021	1
14	O-Ring	81741	1	45	Gasket	105024	1
15	Motor Housing	105004	1	46	Throttle Valve Housing	105047	1
16	Set Screw	105028	1	47	Spring Pin	110038	1
17	Band	WP DG-70026	1	48	Throttle Lever	105045	1
18	Exhaust Deflector	104105	1	49	Lock Pin	104103	1
19	Bolt	104104	1	50	Valve Spring	81749	2
20	Handle	81742	1	51	E-Ring	105046	1
21	Arbor	105006	1	52	Support Plate	WP DG-70067	1
22	Woodruff Key	105008	1	53	Air Inlet Bushing	105040	1
23	Adjust Nut	WP DG-70568	1	54	Bushing	105039	1
24	External Stop Ring	105023	1	55	O-Ring	81752	1
25	Bevel Pinion	105022	1	56	Valve Stem	81748	1
26	Ball Bearing	112047	1	57	O-Ring	105043	1
27	Ball Bearing	112046	2	58	Throttle Valve Plug	81750	1
28	Front End Plate	105015	1	59	Wrench	101046	1
29	Cylinder	105016	1	60	Wrench	105037	2
30	Spring Pin	105017	2	61	Hex. Wrench	105038	1
31	Rotor Blade	104102	4	62	Hex. Wrench	WP DG-70S54	1