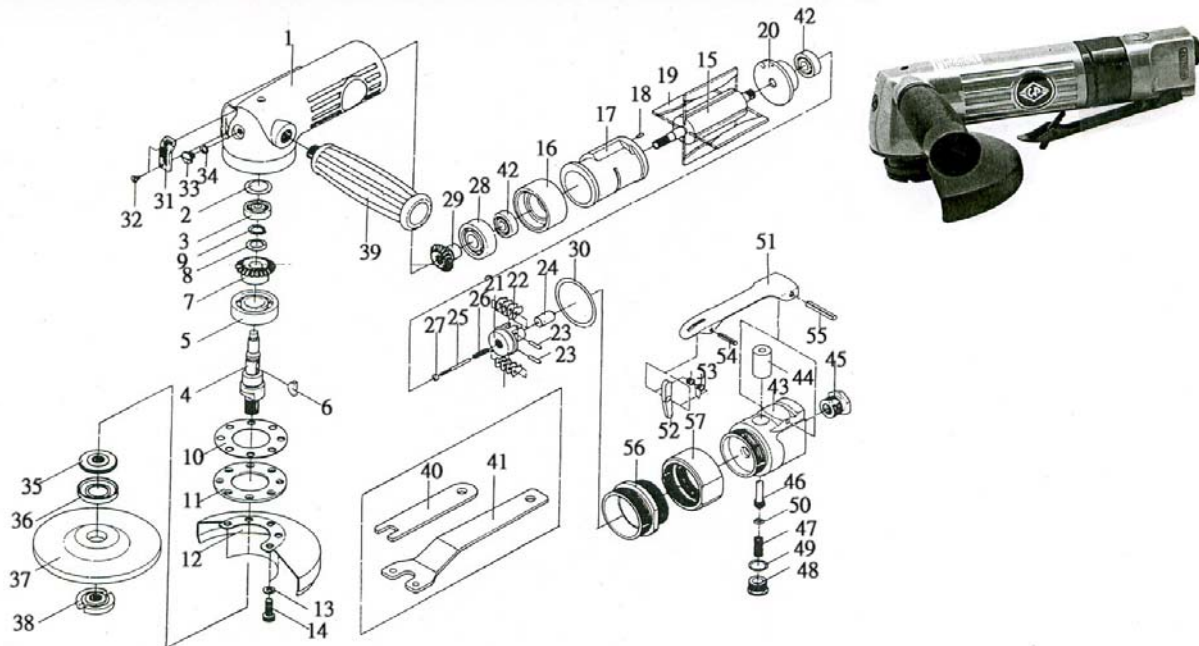




**G512A**

**5" GOVERNED ANGLE SANDER / GRINDER**

**Wespro Pneumatic Tools**



<u>No.</u>	<u>Description</u>	<u>Order Code</u>	<u>Qty</u>	<u>No.</u>	<u>Description</u>	<u>Order Code</u>	<u>Qty</u>
1	Motor Housing	81720	1	33	Plug	81740	1
2	Seal Plate	81721	1	34	O-ring	81741	1
3	Ball Bearing	112054	1	35	Flange	101044	1
4	Arbor	81722	1	36	Flange Rubber	101045	1
5	Ball Bearing	112047	1	37	Grinding Wheel	Optional Part	
6	Woodruff Key	81723	1	38	Flange Nut	100922	1
7	Bevel Gear	81724	1	39	Handle	81742	1
8	Wave Washer	81725	1	40	Wrench (A)	81743	1
9	External Stop Ring	81725	1	41	Wrench (B)	101046	1
10	Gasket	81727	1	42	Ball Bearing	112040	2
11	Retainer	81728	1	43	Throttle Valve Housing	81745	1
12	Center Wheel Guard	100395	1	44	Bushing	81746	1
13	Spring Washer	105025	5	45	Air Inlet Bushing	81747	1
14	Socket Head Cap Screw	32105	5	46	Valve Stem	81748	1
15	Rotor	81731	1	47	Valve Spring	81749	1
16	Front End Plate	81732	1	48	Valve Plug	81750	1
17	Cylinder	81733	1	49	O-Ring	81751	1
18	Spring Pin	101740	1	50	O-Ring	130914	1
19	Rotor Blade	81734	4	51	Throttle Lever	* Sell as	1
20	Rear End Plate	81735	1	52	Throttle Lever Lock	<b>Lever Kit</b>	1
21	Governor	<b>*Sell as Governor</b>	1	53	Tension Spring	<b>Only from</b>	1
22	Pendulum	<b>Kit only from #21</b>	8	54	Spring Pin	<b>#51 to #54.</b>	1
23	Spring Pin	<b>To #27</b>	2	55	Spring Pin	81758	1
24	Plunger		1	56	Lock Ring	81759	1
25	Adjust Screw		1	57	Coupling Nut	81760	1
26	Spring		1	**	<b>Throttle Valve Housing</b>	<b>103877</b>	1
27	Adjust Nut		1	**	<b>Kit (#43, 44, 45)</b>		1
28	Ball Bearing	112046	1	**	<b>Throttle Lever Kit</b>	<b>81753</b>	1
29	Bevel Pinion	81736	1	**	<b>(#51, 52, 53, 54)</b>		1
30	O-Ring	81737	1	**	<b>Governor Kit (#21~ 27)</b>	<b>81762</b>	1
31	Exhaust Deflector	81738	1	**	<b>Bevel Gear Kit (#7, 29)</b>	<b>125424</b>	1
32	Tapping Screw	81539	2				