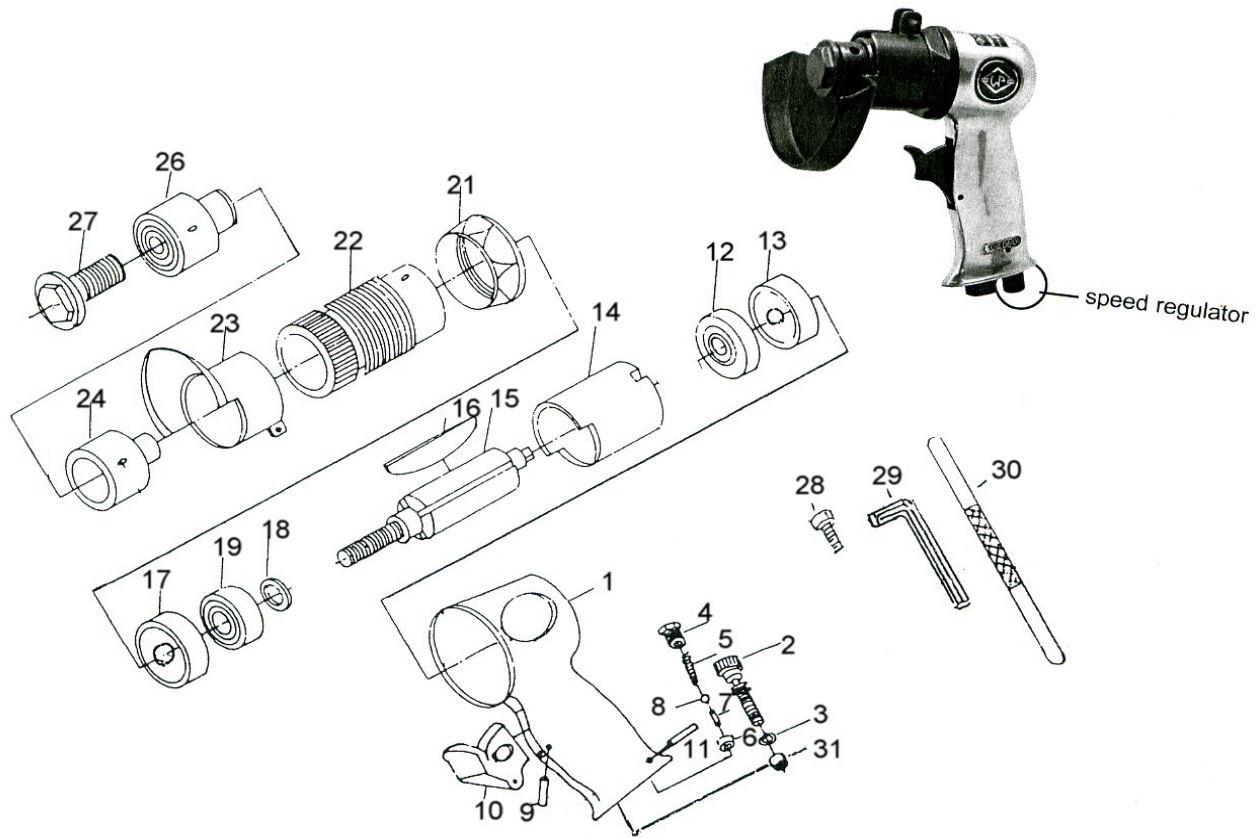




G415P 4" INDUSTRIAL PISTOL GRIP SANDER / GRINDER

Wespro Pneumatic Tools



<u>No.</u>	<u>Description</u>	<u>Order Code</u>	<u>Qty</u>	<u>No.</u>	<u>Description</u>	<u>Order Code</u>	<u>Qty</u>
1	Handle	192287	1	16	Rotor Blade	113879	4
2	Regulator	114369	1	17	Bearing Spacer	114378	1
3	O-Ring	114368	1	18	Bushing Front End	114376	1
4	Hose Joint	114366	1	19	Ball Bearing	112046	1
5	Spring	114365	1	21	Housing Lock Ring	101154	1
6	Rubber Gasket	114362	1	22	Cylinder Housing	114377	1
7	Control Pin	114360	1	23	Wheel Guard	141827	1
8	Ball	114363	1	24	Hub	192320	1
9	Pin	19946	1	26	Locking Screw Adaptor	192321	1
10	Trigger	114370	1	27	Locking Screw	192323	1
11	Pin	88408	1	28	Screw	192322	1
12	Ball Bearing	112046	1	29	Wrench	31969	1
13	Bearing Spacer	118249	1	30	Holding Tool	114379	1
14	Cylinder	114372	1	31	Rubber Gasket	114367	1
15	Rotor	151510	1				