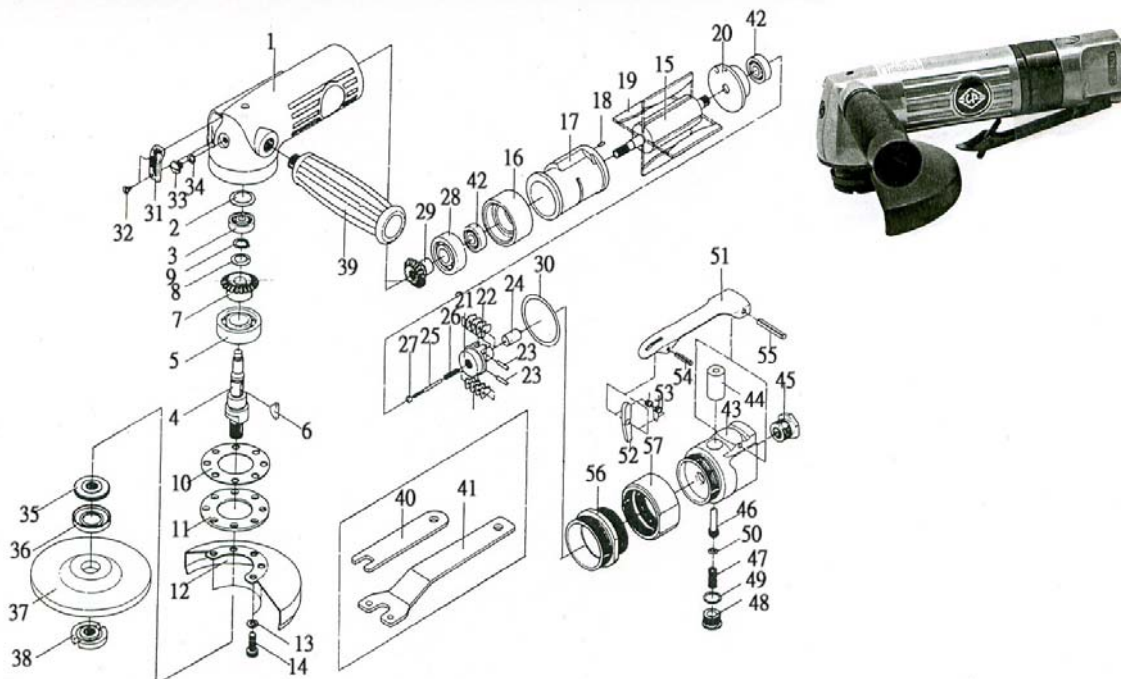




G412A

4" GOVERNED ANGLE SANDER / GRINDER

Wespro Pneumatic Tools



<u>No.</u>	<u>Description</u>	<u>Order Code</u>	<u>Qty</u>	<u>No.</u>	<u>Description</u>	<u>Order Code</u>	<u>Qty</u>
1	Motor Housing	81720	1	33	Plug	81740	1
2	Seal Plate	81721	1	34	O-ring	81741	1
3	Ball Bearing	112054	1	35	Flange	91980	1
4	Arbor	81722	1	36	Flange Rubber	91981	1
5	Ball Bearing	112047	1	37	Grinding Wheel	Optional	1
6	Woodruff Key	81723	1	38	flange Nut	91982	1
7	Bevel Gear	81724	1	39	Handle	81742	1
8	Wave Washer	81725	1	40	Wrench (A)	81743	1
9	External Stop Ring	81725	1	41	Wrench (B)	81744	1
10	Gasket	81727	1	42	Ball Bearing	112040	2
11	Retainer	81728	1	43	Throttle Valve Housing	81745	1
12	Center Wheel Guard	81729	1	44	Bushing	81746	1
13	Spring Washer	105025	5	45	Air Inlet Bushing	81747	1
14	Socket Head Cap Screw	81731	5	46	Valve Stem	81748	1
15	Rotor	81731	1	47	Valve Spring	81749	1
16	Front End Plate	81732	1	48	Valve Plug	81750	1
17	Cylinder	81733	1	49	O-Ring	81751	1
18	Spring Pin	101740	1	50	O-Ring	130914	1
19	Rotor Blade	81734	4	51	Throttle Lever	* Sell as Lever	1
20	Rear End Plate	81735	1	52	Throttle Lever Lock	Kit only from	1
21	Governor	* Sell as	1	53	Tension Spring	#51 to #54.	1
22	Pendulum	Governor Kit	8	54	Spring Pin		1
23	Spring Pin	Only from	2	55	Spring Pin	81758	1
24	Plunger	#21 to #27.	1	56	Lock Ring	81759	1
25	Adjust Screw		1	57	Coupling Nut	81760	1
26	Spring		1	**	Throttle Valve Housing	103877	1
27	Adjust Nut		1	**	Kit (#43, 44, 45)		1
28	Ball Bearing	112046	1	**	Throttle Lever Kit	81753	1
29	Bevel Pinion	81736	1	**	(#51, 52, 53, 54)		1
30	O-Ring	81737	1	**	Governor Kit (#21~ 27)	81762	1
31	Exhaust Deflector	81738	1	**	Bevel Gear Kit (#7, 29)	125424	1
32	Tapping Screw	81539	2				