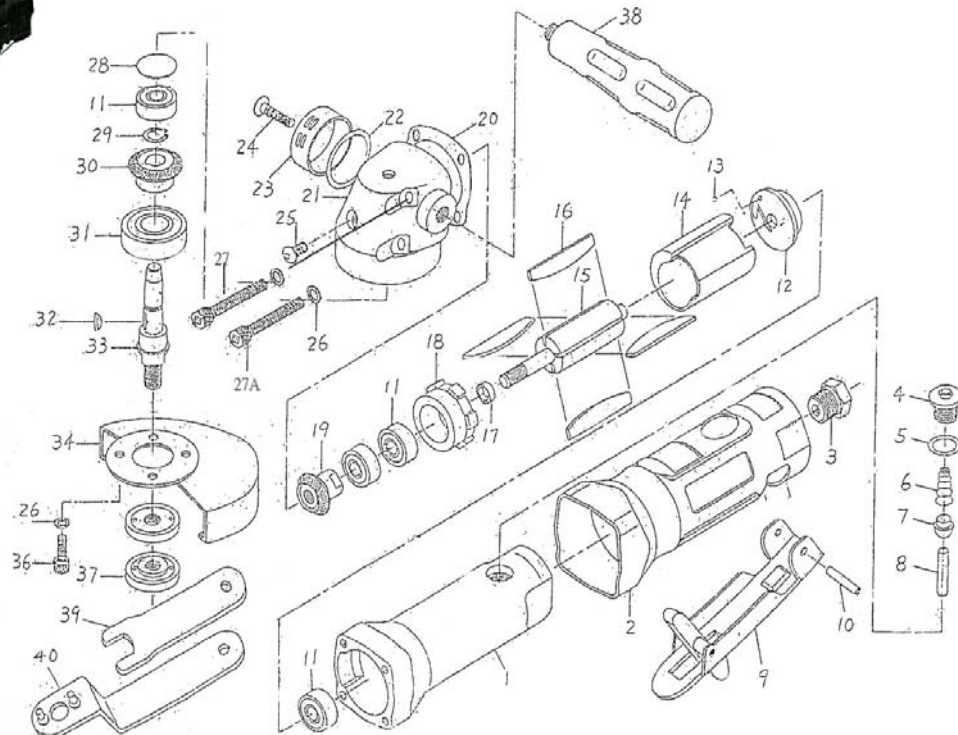




# G410AGS & G510AGS Wespro Pneumatic Tools

## INSUL GRIP SANDER/GRINDER



<u>No.</u>	<u>Description</u>	<u>Order Code</u>	<u>Qty</u>	<u>No.</u>	<u>Description</u>	<u>Order Code</u>	<u>Qty</u>
1	Housing	188938	1	24	Screw	188964	1
2	Protecting Rubber	188941	1	25	Screw	188965	1
3	Air Inlet	188942	1	26	Lock Washer	186882	8
4	Screw	188943	1	27	Screw	109913	2
5	O-Ring	188944	1	27A	Screw	188966	2
6	Spring	188945	1	28	SPACER	188967	1
7	Valve Bushing	188946	1	29	Retaining Ring	188968	1
8	Valve Stem	188947	1	30	Bevel Gear	188969	1
9	Lever c/w Safety Lock	188948	1	31	Ball Bearing	112047	1
10	Pin	188949	1	32	Key	188970	1
11	Ball Bearing	112040	4	33	Spindle (G410AGS)	188971	1
12	Rear End Plate	188950	1		Spindle (G510AGS)	188972	1
13	Steel Ball	188951	1	34	Wheel Guard (4")	188973	1
14	Cylinder	188953	1		Wheel Guard (5")	184777	1
15	Rotor	188954	1	36	Screw	188974	4
16	Rotor Blade	188956	4	37	Disc Nut (G410AGS)	188975	2
17	Spacer	188957	1		Disc Nut (G510AGS)	184778	2
18	Front End Plate	188958	1	38	Handle	188976	1
19	Bevel Gear	188959	1	39	Spanner (G410AGS)	189017	1
20	Packing	188960	1		Spanner (G510AGS)	166515	1
21	Angle housing	188961	1	40	Disc Spanner (G410AGS)	189019	1
22	O-Ring	188962	1		Disc Spanner (G510AGS)	184779	1
23	Exhaust Sleeve	188963	1				