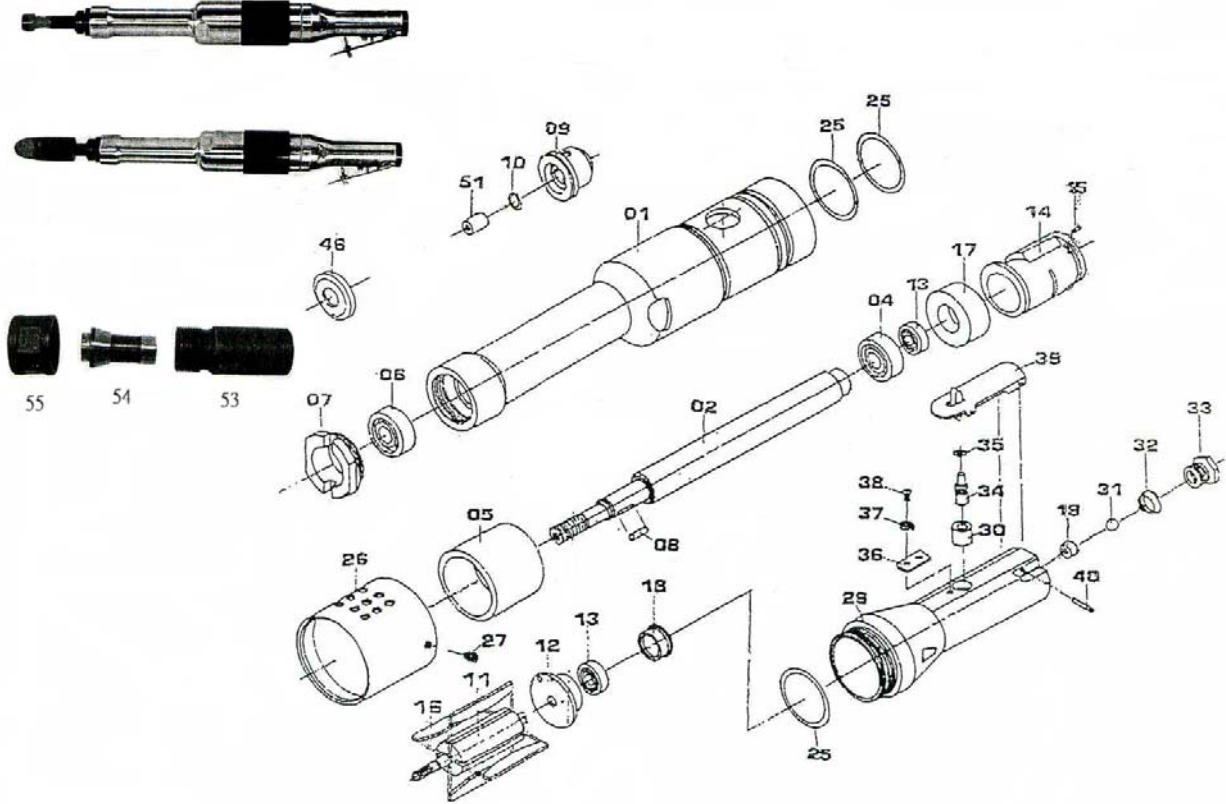




# G216SC & G216SP Wespro Pneumatic Tools

## EXTENDED GRINDER



<u>No.</u>	<u>Description</u>	<u>Order Code</u>	<u>Qty</u>	<u>No.</u>	<u>Description</u>	<u>Order Code</u>	<u>Qty</u>
1	Motor Housing	WP SG-30001	1	30	Bushing	114400	1
2	Arbor Composition	114389	1	31	Steel Ball	114401	1
4	Ball Bearing	112034	1	32	Conical Spring	114402	1
5	Spacer	114390	1	33	air Inlet	114403	1
6	Ball Bearing	112031	1	34	Valve Stem	114404	1
7	Bearing Cap	WP SG-30007	1	35	O-ring	114405	1
8	Needle Roller	114391	1	36	Lock sheet	114406	1
9	Flange	114392	1	37	Spring Washer	WP SW2-040A	1
10	External Stop Ring	114393	1	38	Button Head Screw	114407	1
11	Rotor	WP SG-14011	1	39	Throttle Lever Assembly	114408	1
12	Rear End Plate	81735	1	40	Spring Pin	101726	1
13	Ball Bearing	112040	2	46	Flange	114409	1
14	Cylinder	81733	1	49	Setting Bar	114410	1
15	Spring Pin	101740	1	50	Single Ended Spanner	114411	1
16	Rotor Blade	81734	4	51	Spacer Collar	113978	1
17	Front End Plate	114396	1	53	Collet Body (for G216SC)	83888	1
18	Bearing Cap	101735	1	54	Collet 1/4" (for G216SC)	124270	1
19	Valve Set	WP SG-30L53	1	55	Collet Nut (for G216SC)	83891	1
25	O-ring	81737	3	K01	Throttle Valve Housing Kit	114412	1
26	Exhaust Deflector	114398	1	K02	Valve Kit	114413	1
27	Set Screw	114399	1	K03	Governor Kit	WP SG-30LK03	1
29	Throttle Valve Housing	216146	1				