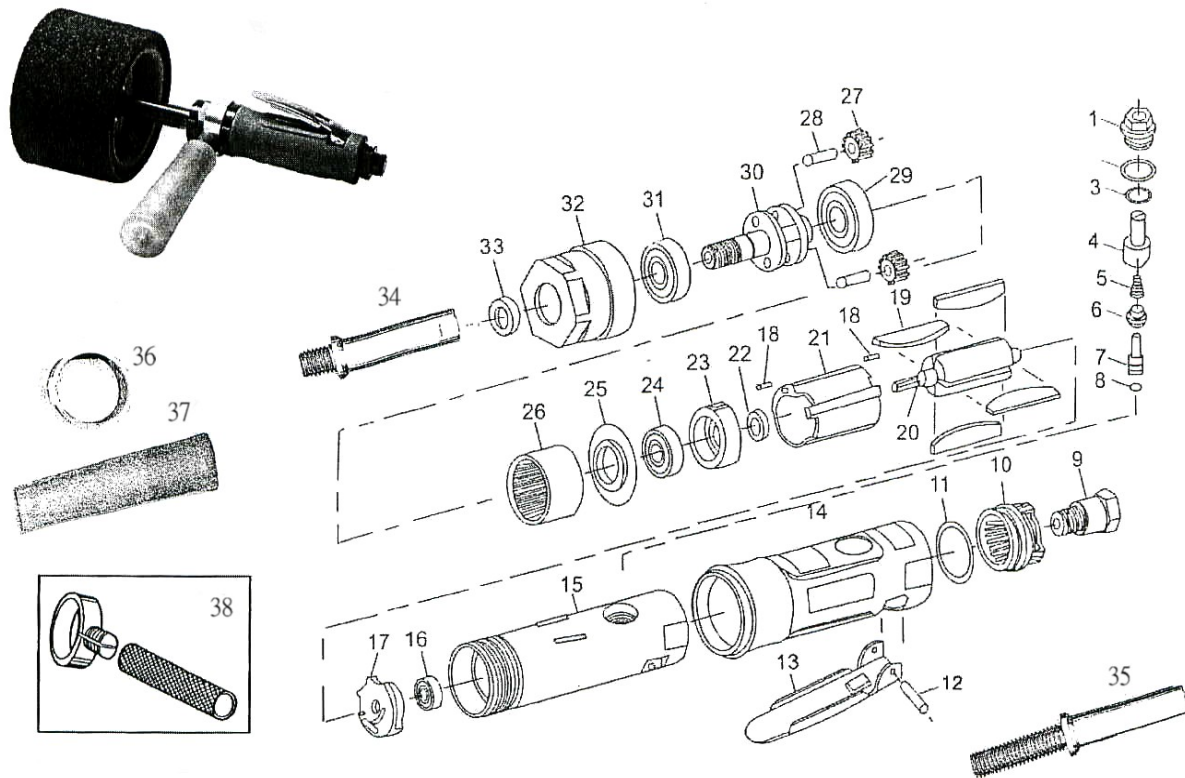




# DS526G INSUL GRIP DRUM SANDER

## Wespro Pneumatic Tools



\* 5" sanding drum (optional) order code 128393.

\* Abrasive & surface conditioning belts (optional), see Wespro catalog.

<u>No.</u>	<u>Description</u>	<u>Order Code</u>	<u>Qty</u>	<u>No.</u>	<u>Description</u>	<u>Order Code</u>	<u>Qty</u>
1	Plug Screw	166401	1	20	Rotor	175369	1
2	O Ring	169284	1	21	Cylinder	166417	1
3	O Ring	169285	1	22	Spacer	166418	1
4	Air Regulator	166402	1	23	Front End Plate	166419	1
5	Spring	166403	1	24	Ball Bearing	112040	1
6	Valve Bushing	166404	1	25	Washer	175371	1
7	Valve Stem	166405	1	26	Internal Gear	175373	1
8	O Ring	166406	1	27	Planet Gear	175374	2
9	Air Inlet	166407	1	28	Planet Gear Pin	175375	2
10	Exhaust Sleeve	169286	1	29	Ball Bearing	112031	1
11	O Ring	166408	1	30	Gear Cage	175376	1
12	Lever Pin	166409	1	31	Ball Bearing	112081	1
13	Lever	166410	1	32	Housing Cap	175377	1
14	Protecting Rubber	161395	1	33	Spacer	173503	1
15	Motor Housing	166411	1	34	Adaptor 3.1/2"	169666	1
16	Ball Bearing	112062	1	35	Adaptor 5" (optional)	177959	1
17	Rear End Plate	166412	1	36	Shim (1 mm)	188834	1
18	Pin	166413	2	37	Rubber Grip	158990	1
19	Rotor Blade	166414	4	38	Handle Assembly	92927	1