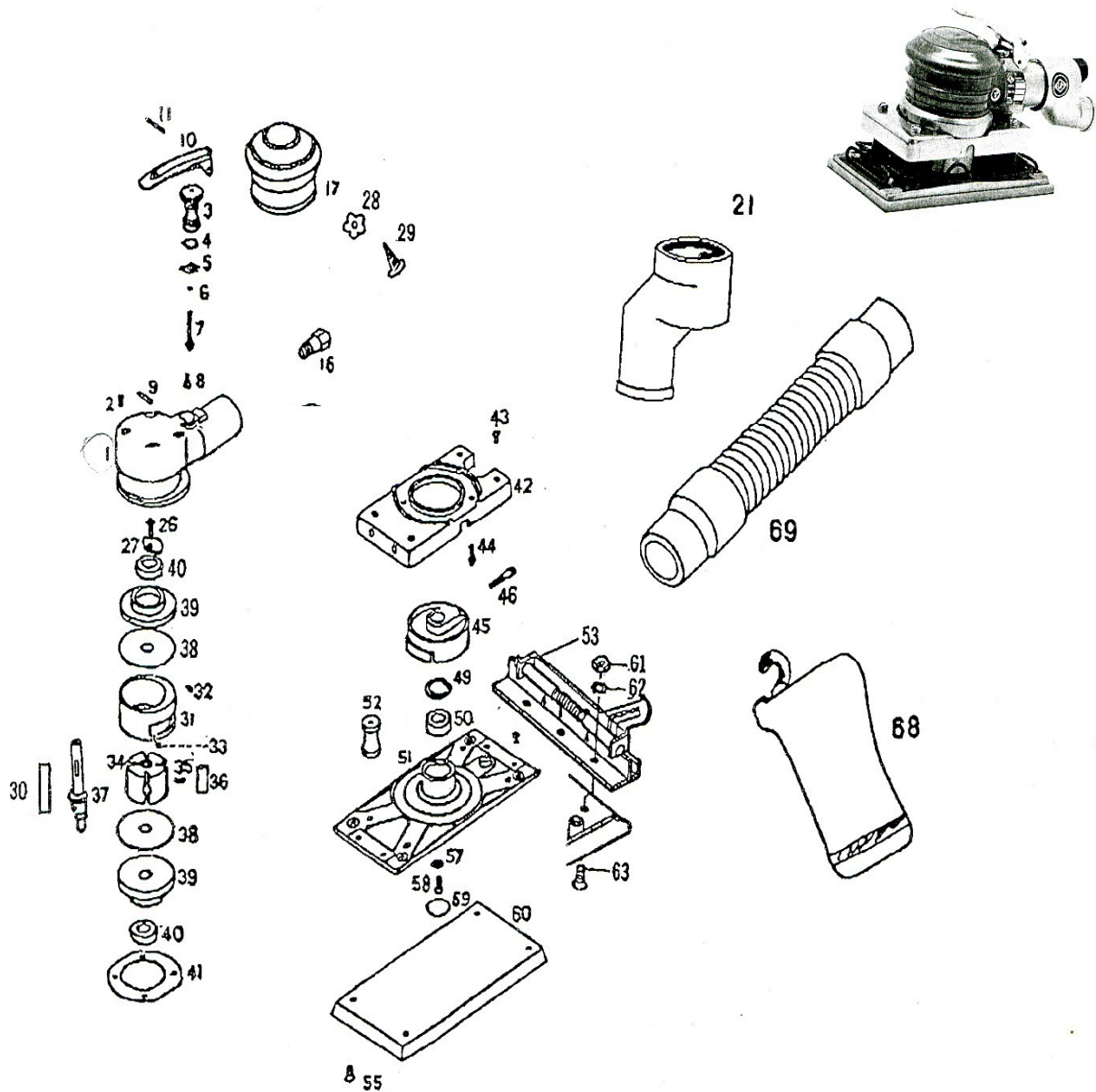




833D

RECTANGULAR PAD ORBITAL SANDER

Wespro Pneumatic Tools



**833D****RECTANGULAR PAD ORBITAL SANDER****Wespro Pneumatic Tools**

<u>No.</u>	<u>Description</u>	<u>Order Code</u>	<u>Qty</u>	<u>No.</u>	<u>Description</u>	<u>Order Code</u>	<u>Qty</u>
1	Body	217206	1	38	Side Plate	88547	2
2	Bolt Set	96375	4	39	Bearing Case	96312	2
3	Valve Seat	103550	1	40	Ball Bearing	112046	2
4	O-Ring	88535	2	41	Body Packing	88549	1
5	Wave Washer	107430	1	42	Base Plate	217210	1
6	O-Ring	88537	1	43	Screw	107478	4
7	Valve	107431	1	44	Screw	88550	4
8	Valve Spring	88538	1	45	L-Balancer	96373	1
9	Needle Pin	107434	1	46	Screw	107457	1
10	Valve Lever	217208	1	49	Snap Ring	88552	1
11	Spring Pin	217209	1	50	Ball Bearing	112081	2
16	Nipple	96377	1	51	Shoe	96374	1
17	Body Cover	88539	1	52	Support	88554	4
21	Deflector	96376	1	53	Spring Clamp	88555	2
26	Screw	88558	1	55	Screw	88556	4
27	U-Balancer	88541	1	56	Washer	196882	4
28	Lock Washer	217214	2	57	Washer	115496	1
29	Screw	88556	2	58	Screw	88558	1
30	Key	96378	1	59	Packing	88559	1
31	Cylinder	96381	1	60	Backing Pad Dust Free (PSA)	107167	1
32	O-Ring	88544	1		Backing Pad (Velcro) - Optional	109680	
33	Spring Pin	103515	1	61	Screw Set c/w Nut	115495	6
34	Rotor	96383	1	63	Screw	88563	6
35	Vane Spring	96391	4	68	Dust Bag	84511	1
36	Vane	88546	4	69	Vacuum Hose	84510	1
37	Shaft	96372	1				