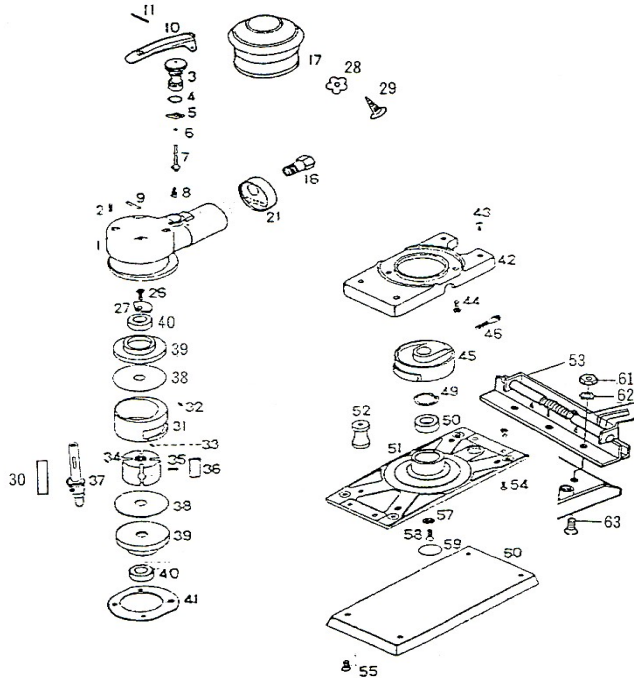
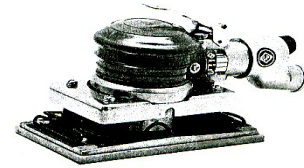




833

RECTANGULAR PAD ORBITAL SANDER

Wespro Pneumatic Tools



<u>No.</u>	<u>Description</u>	<u>Order Code</u>	<u>Qty</u>	<u>No.</u>	<u>Description</u>	<u>Order Code</u>	<u>Qty</u>
1	Body	217205	1	37	Shaft	96372	1
2	Bolt Set	96375	4	38	Side Plate	88547	2
3	Valve Seat	103550	1	39	Bearing Case	96312	2
4	O-Ring	88535	2	40	Ball Bearing	112046	2
5	Wave Washer	107430	1	41	Body Packing	88549	1
6	O-Ring	88537	1	42	Base Plate	217210	1
7	Valve	107431	1	43	Screw	107478	4
8	Valve Spring	88538	1	44	Screw	88550	4
9	Needle Pin	107434	1	45	L-Balancer	96373	1
10	Valve Lever	217208	1	46	Screw	107457	1
11	Spring Pin	217209	1	49	Snap Ring	88552	1
16	Nipple	96377	1	50	Ball Bearing	112081	2
17	Body Cover	88539	1	51	Shoe	96374	1
21	Silencer	96371	1	52	Support	88554	4
26	Screw	88558	1	53	Spring Clamp	88555	2
27	U-Balancer	88541	1	55	Screw	88556	4
28	Lock Washer	217214	2	56	Washer	186882	4
29	Screw	88556	2	57	Washer	115496	1
30	Key	96378	1	58	Screw	88558	1
31	Cylinder	96381	1	59	Packing	88559	1
32	O-Ring	88544	1	60	Backing Pad (PSA)	88560	1
33	Spring Pin	103515	1		Backing Pad (Velcro) - Optional	109680	
34	Rotor	96383	1	61	Screw Set c/w Nut	115495	6
35	Vane Spring	96391	4	63	Screw	88563	6
36	Vane	88546	4				