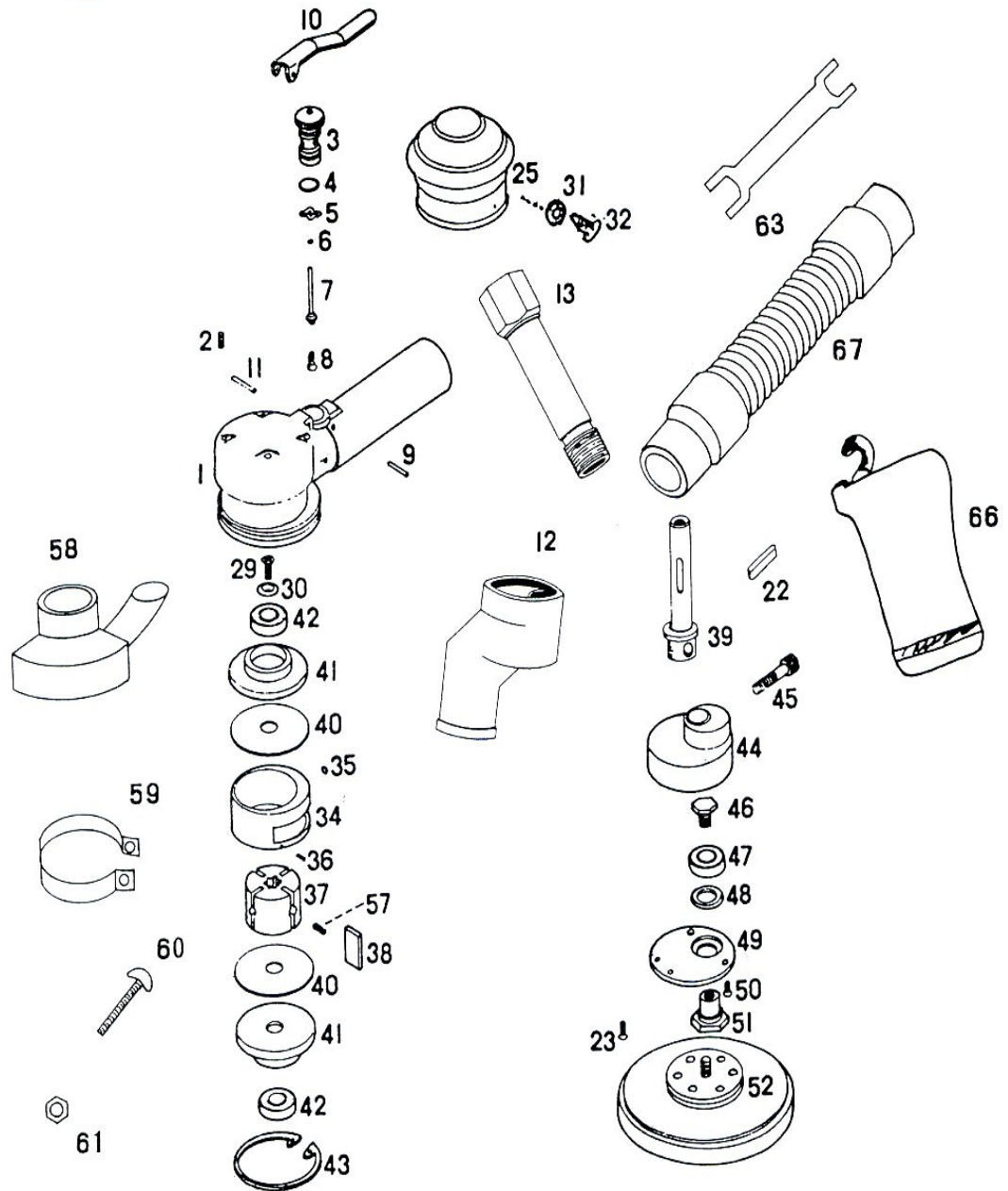
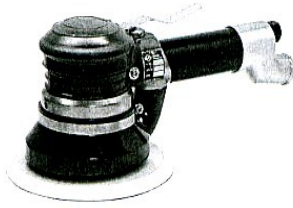




# 824D INDUSTRIAL HEAVY DUTY ORBITAL SANDER

## Wespro Pneumatic Tools



**824D****INDUSTRIAL HEAVY DUTY ORBITAL SANDER****Wespro Pneumatic Tools**

<u>No.</u>	<u>Description</u>	<u>Order Code</u>	<u>Qty</u>	<u>No.</u>	<u>Description</u>	<u>Order Code</u>	<u>Qty</u>
1	Body	109850	1	38	Rotor Blade	88546	4
2	Bolt Set	96375	4	39	Shaft	130014	1
3	Valve Seat	103550	1	40	Sdie Plate	88547	2
4	O-Ring	88535	2	41	Bearing Plate	96312	2
5	Wave Washer	107430	1	42	Ball Bearing	112046	2
6	O-Ring	88537	1	43	Snap Ring	WP 824043	1
7	Valve	107431	1	44	Balancer	96384	1
8	Valve Spring	88538	1	45	Screw	32126	1
9	Needle Pin	107434	1	46	Bolt	96386	1
10	Valve Lever	107435	1	47	Ball Bearing	112044	1
11	Spring Pin	107436	1	48	Felt Ring	96387	1
12	Deflector	96376	1	49	Retaining Plate	96388	1
13	Nipple	96377	1	50	Screw	88563	2
22	Key	96378	1	51	Spindle	96390	1
23	Screw	96435	2	52	Backing Pad 6" (Velcro)	113310	1
25	Body Cover	88539	1		Backing Pad 6" (PSA)- Optional	172582	1
29	Screw	88558	1	57	Rotor Blade Spring	96391	4
30	Washer	96420	1	58	Vacuum Cover	109795	1
31	Lock Washer	WP 824031	2	59	Hose Clamp	119533	1
32	Screw	88556	2	60	Screw	WP 827045-1	1
34	Cylinder	96381	1	61	Nut	WP 827045-2	1
35	O-Ring	88544	1	63	Wrench	96440	1
36	Pin	103515	1	66	Dust Bag	84511	1
37	Rotor	96383	1	67	Vacuum Hose	84510	1