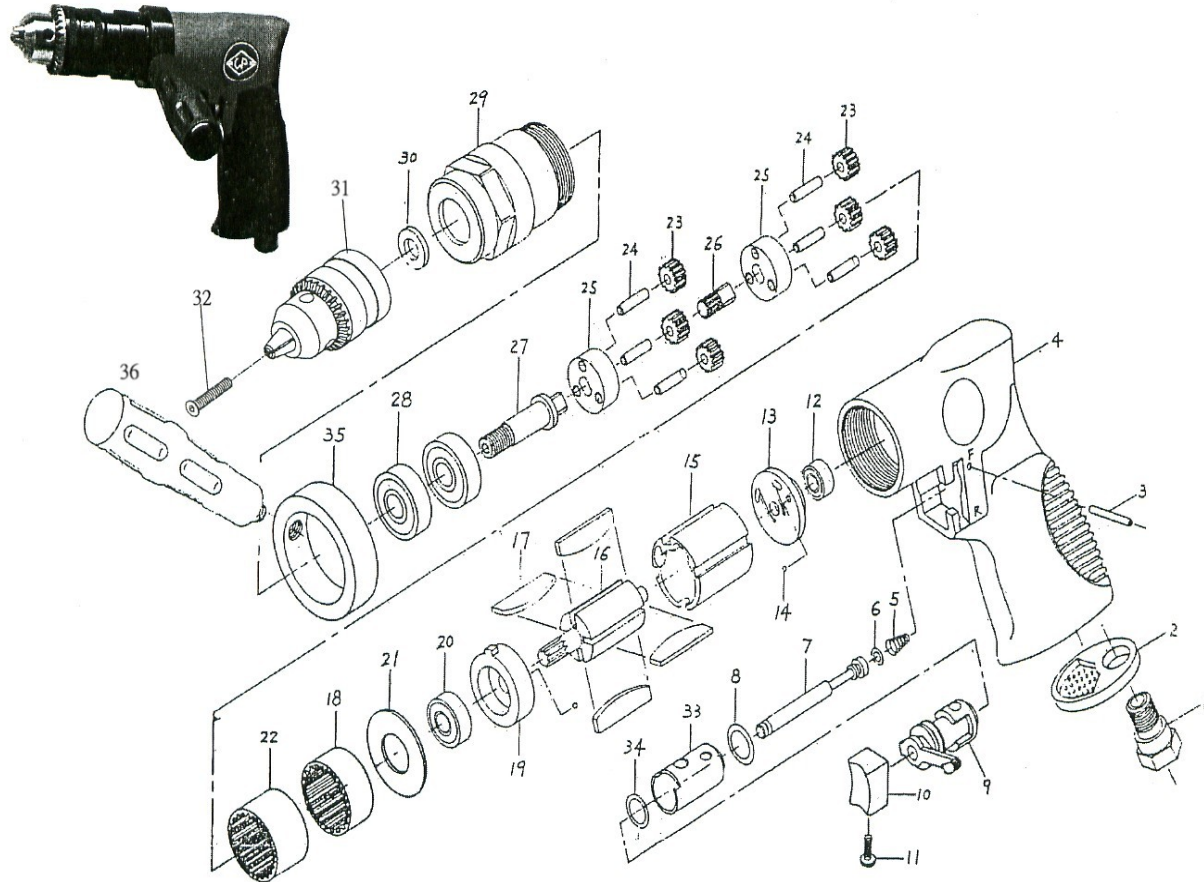




# Wespro Pneumatic Tools



No.	Description	Order Code	Qty	No.	Description	Order Code	Qty
1	Air Inlet	174978	1	20	Ball Bearing	112040	1
2	Exhaust Sleeve	174979	1	21	Washer	175562	1
3	Spring Pin	174980	1	22	Internal Gear	175567	1
*4	Housing	185123	1	23	Planet Gear	175568	6
5	Spring	174982	1	24	Planet Gear Pin	175569	6
6	O-Ring	174983	1	25	Gear Cage	175570	2
7	Valve Stem	174984	1	26	Sun Gear	175571	1
8	O-Ring	174985	1	27	Spindle	175572	1
9	Reverse Lever	174986	1	28	Ball Bearing	112042	2
10	Trigger	174987	1	29	Housing Cap	175574	1
11	Screw	174988	1	30	Spacer	175002	1
12	Ball Bearing	112062	1	31	Chuck Multi-craft 1/2"	56598	1
*13	Rear End Plate	185124	1		Chuck Keyless 1/2"	187064	
14	Steel Ball	174990	2		Chuck HD 1/2"	91387	
*15	Cylinder	185125	1	32	Screw	175575	1
*16	Rotor	185129	1	33	Bushing	175004	1
*17	Rotor Blade	185127	4	34	O-Ring	175005	1
18	Internal Gear	175701	1	35	Clamp Ring	175576	1
*19	Front End Plate	185128	1	36	Handle	175577	1

The parts with \* in the front of the index numbers are different to D445RG.